

Diffuse  
M18x1  
Sn = 400 mm

**Common Data**

Sensortype	Diffuse
Switching frequency	500 Hz
Rated operating distance Sn	mm 400
asured operating distance Sa	mm adjustable
Repeat accuracy	< 5% from Sn
Hysteresis	1...25%
Indication supply voltage	no
Indication switching element	yes
Indication special function	adjustment Indicator
Ambient temperature	°C -15...+55°C
On/Off-delay	<=1ms
IEC-Code	D3A18PP2
Light	Infrared
Sensitivity adjustment	Teach In
Light spot diameter	-
Permissable ambient light	lux 5000

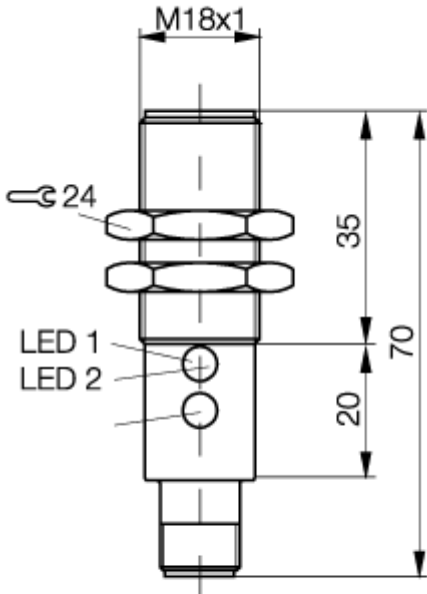
**Mechanical Data**

Measurements BxHxT or DxT	mm	M18x70
Shock test (EN 60068-2-27)		Halfsinus, 30gn, 11ms
Vibration test (EN 60068-2-6)		55Hz, 1,5mm Amplitude 3x20 Minuten
Housing material		nickel plated brass
Material of sensing face		PMMA
Degree of protection	IP	IP67
Connection		Connector S4 (M12)
Weight		65g
Recommended connector		BKS-S20-3

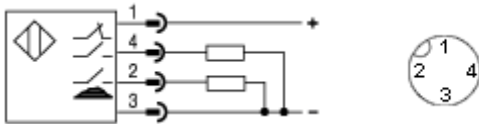
**Electric Data**

Current	DC
Switching function	switchable
Output	PNP
Rated operational voltage Ue	V 24 DC
Rated operational current Ie	mA 200mA
Supply voltage	V 10...30 DC
Ripple	% <=10
No-load supply current	mA <=25mA
Voltage drop	V <=2,5V
Short protection	yes
Protectde against polarity rev	yes
Rated Insulation voltage	75V DC
Output resistance	33kOhm
max. load capacity	<=0,5µF

03.06.2004 / Online-Information



PX1400



Approvals



Utilization categories DC 13

If not differently indicated,  
all values by IEC 947-5-2 (DIN EN60947-5-2)

Sensing distance measured with :  
Kodak white card 200mm x 200mm, 90% reflection  
Specifications subject to change

Balluff GmbH  
Postfach 1160  
73761 Neuhausen  
Telefon (07158) 173-0  
Telefax (07158) 5010

