

Incremental Rotary Encoders

Overview



Incremental Rotary Encoders



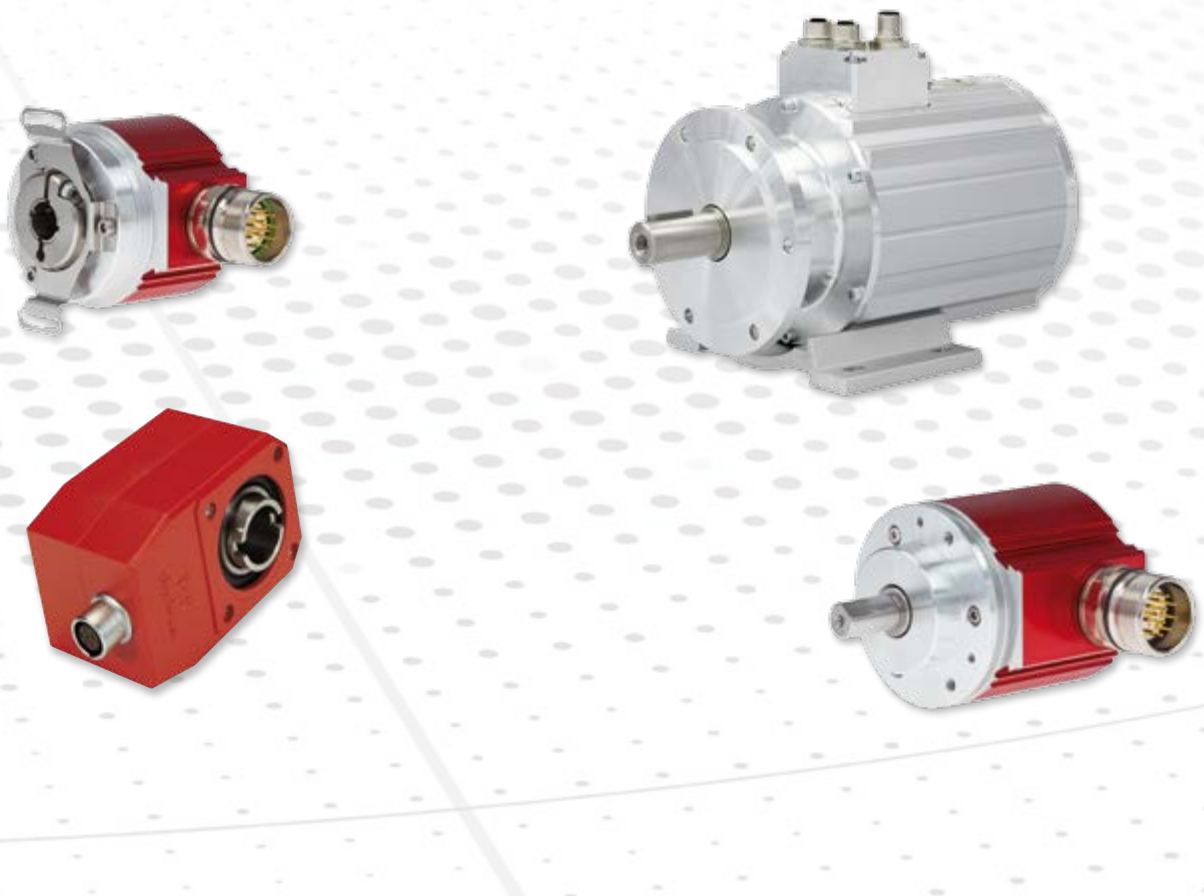
Programmable, extremely resilient and more

Incremental rotary encoders are used in machines and installations in different resolutions. Thanks to their simple design, incremental rotary encoders are more economical to manufacture than absolute rotary encoders. On the other hand, they only indicate position changes and cannot detect movements without a power supply.

In addition to our programmable all-rounder with 58 mm housing for almost all resolutions, our product portfolio

also includes a wide range of different sizes. In combination with hollow shafts, solid shafts of different diameters and a selection of flanges, you will find the right incremental rotary encoder for your machine's installation situation.

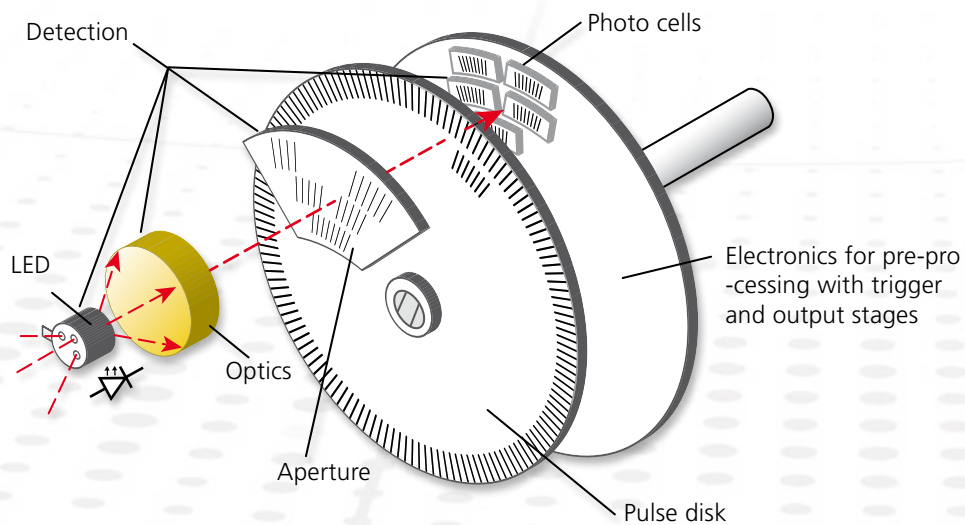
You will also find a multitude of housing options, e.g. ATEX-compliant housings and housings for use in aggressive media or for heavy mechanical stress (heavy-duty).



Contents

Theory of Operation	4	Fixed Resolution	24
Resolution Programmable.....	8	Families by Size	24
I_58.....	8	Fixed Resolution, Functional Safety	38
-I_H110.....	20	-I_58+FS	38

Pulse Encoder mode of operation

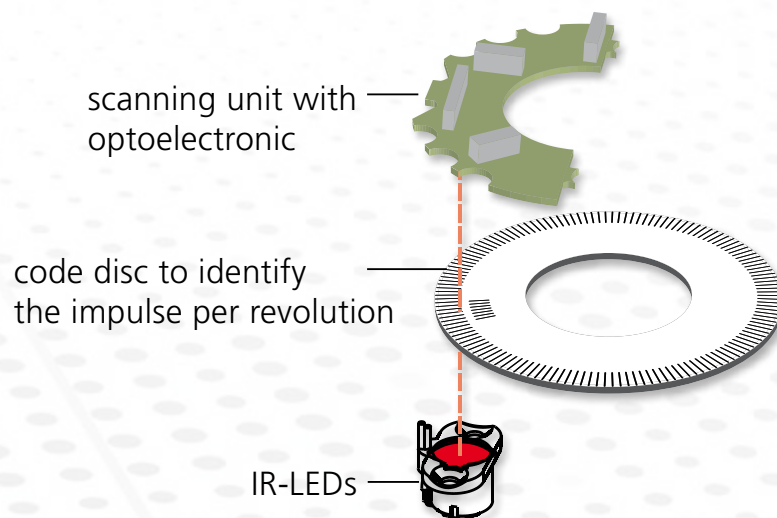


Consistent mechanical concept

A rotary movement is processed in the incremental rotary encoder (also called a pulse encoder) and output in the form of an electrical signal. Angular increments are recorded via a pulse wheel with a fixed number of cycles per revolution. A scanning unit with integrated optoelectronics generates electrical signals and outputs pulses (measuring increments).

The resolution of the measuring system is defined by the number of light/dark segments (number of graduation marks per revolution) on the pulse wheel. For example, in the case of a pulse encoder with 1,000 graduation marks, a signal sequence of 1,000 pulses is output during one revolution. To evaluate the counting direction, a second signal sequence with a 90° phase offset is generated. A rev counter can be controlled with an additional zero pulse.

- _ Programmable rotary encoders
- _ Non-programmable incremental rotary encoders
- _ Solid shaft, hollow shaft, blind shaft design and type with integrated coupling
- _ For __ F36 with separate bearing



Programmable incremental encoders The all-rounder in a 58 mm housing

Our programmable incremental rotary encoders offer the optimal basis for every requirement and are available with solid shaft, continuous hollow shaft, blind shaft or integrated coupling. You can adapt the resolution of our programmable incremental encoders to your requirements using software.

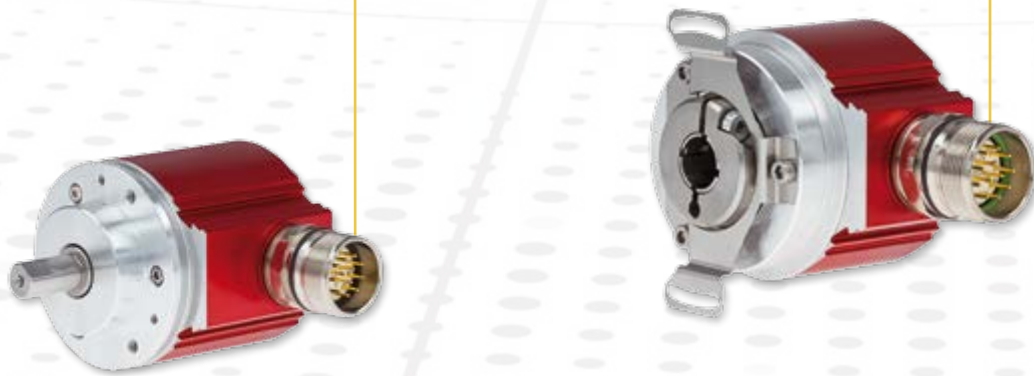
The new generation I_58:2 offers wide range input of 4.5 ... 32 V DC and number of graduation marks up to 62,450 increments per revolution as well as a hollow shaft diameter up to 15 mm or ½".

Non-programmable incremental rotary encoders with resolution determined at the factory

Our incremental rotary encoders with resolution preconfigured in the factory can also be used in all applications which require the basic functions of incremental position detection.

The resolution of these incremental rotary encoders is defined ex-factory by fitting a code disk with a defined number of graduation marks or the scanning electronics is configured for the required number of graduation marks. These incremental rotary encoders are available in different sizes from 24 mm to 120 mm. Naturally they are also available with different mechanical connections such as solid shaft, continuous hollow shaft, blind shaft or integrated coupling.

Safety rotary encoders



SIL rotary encoders

The solution doesn't always have to be a big one. An incremental rotary encoder is sufficient for the safe detection of speed, direction of rotation or standstill. The use of certified components considerably facilitates validation of the complete application. TR-Electronic therefore offers the safety-certified incremental rotary encoder IE58+FS. The user can choose between square-wave signals (with TTL or HTL level) and sine-cosine interface. The rotary encoder is certified for applications up to SIL 3 or PLe depending on the chosen interface and safety module. The rotary encoder permits the operating modes SLS, SOS SSR, SDI and SSM in conjunction with an appropriate safety module.

This is partly due to the fact that the transmission channel can be checked by means of a simple calculation from the signal: The following must apply at any time: $\sin^2(t) + \cos^2(t) = 1$. If the calculated value differs, the safety module can go into a safe status. Another component of this high safety classification is the simple design with proven optical scanning with fixed resolution on the glass disk. 1024, 2048

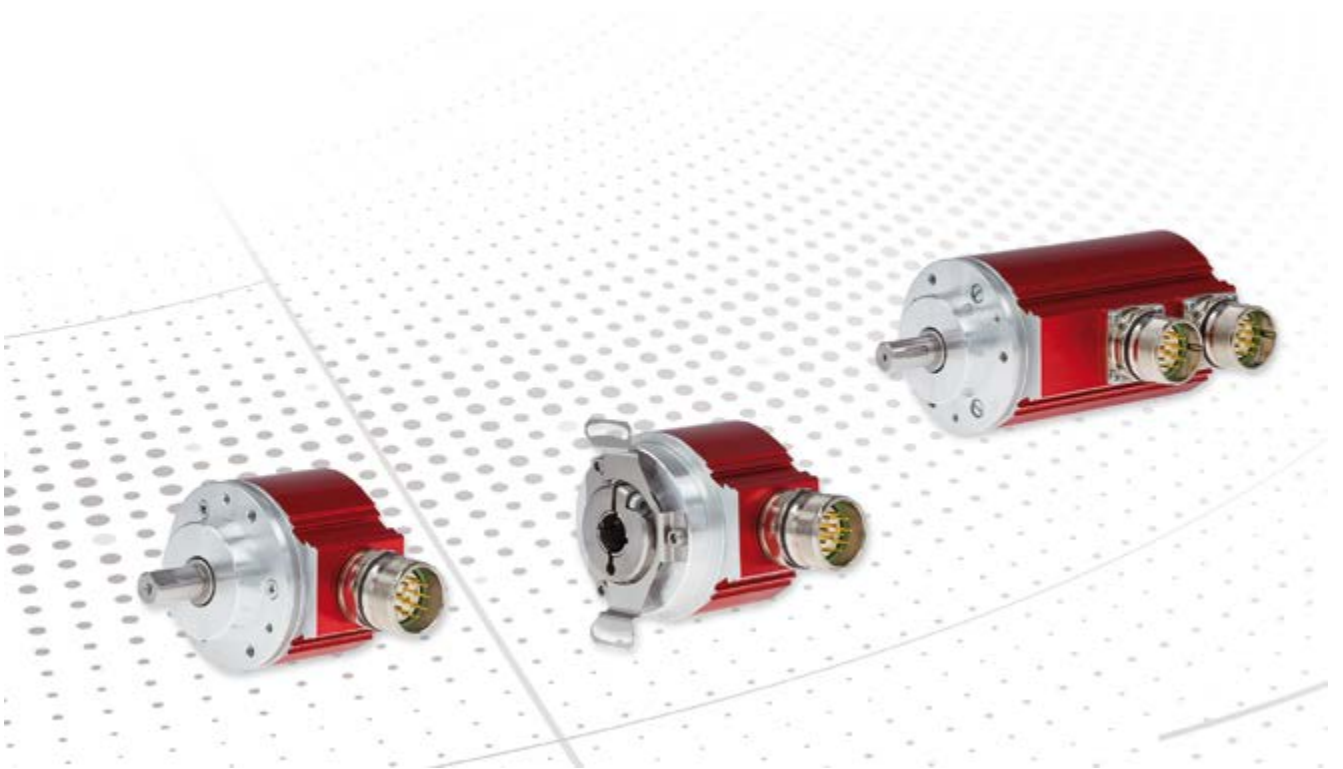
and 4096 periods per revolution and a zero pulse may be selected. The signal paths are designed differentially. As a result the signal is immune to disturbance and failure of a driver can be reliably detected. The incremental rotary encoder is connected to the driving axis either with a solid shaft, blind shaft (IS58+FS) or a hollow shaft (IH58+FS). The form closure necessary for reliable measurement is implemented through a groove in the shaft - in the case of solid-shaft rotary encoders the appropriate spring is included in the scope of supply.



- SLS
- SOS
- SSR
- SDI
- SSM

To fulfill the safety functions, the safety-oriented incremental rotary encoder IE58+FS is connected to a safety module available on the market, which then performs the relevant inspection. For the development and certification of the IE58+FS, modules from different manufacturers have been examined and compatibility with the IE58+FS established. The IE58+FS supplement the series of safety-oriented products with integrated safety (CD_75) with an important component for a modular safety concept, which allows the user to select the required evaluation module according to his or her own requirements.

Incremental Encoders - Family I__58 - Housing 58 mm



The all-rounder in a 58 mm housing




Our programmable incremental rotary encoders offer the optimal basis for every requirement and are available with solid shaft, continuous hollow shaft, blind shaft or integrated coupling. You adapt the resolution of our programmable incremental rotary encoders (size 58 mm) via software to meet your demands.

The new generation I__58:2 has wide range input of 4,5..32 V DC and number of periods per turn up to 65,536. Additionally, it provides hollow and blind shaft diameters up to 15 mm resp. 1/2".

Contents






Products.....	9
Suggested Products.....	12
Dimensional Drawings.....	16

Up to 10,000 pulses





Product	IEV58:2	IES58:2	IEH58:2
			
Detection	Optical (E)	Optical (E)	Optical (E)
Supply	24 VDC (4,5 ... 27)	24 VDC (4,5 ... 27)	24 VDC (4,5 ... 27)
Steps per turn	$\geq 2 \dots \leq 10000$	$\geq 2 \dots \leq 10000$	$\geq 2 \dots \leq 10000$
Shaft diameters available	6, 8, 10, 12, 14, 1/4", 3/8", 1/2"	6, 8, 10, 12, 14, 15, 1/4", 3/8", 1/2"	6, 8, 10, 12, 14, 15, 1/4", 3/8", 1/2"
Connectors	Connector or cable	Connector or cable	Connector or cable
Ambient temperature	-40...+75 °C	-40...+75 °C	-40...+75 °C
Protection class	IP67 / shaft IP65	IP67 / shaft IP65	IP67 / shaft IP65
ATEX zone			
Interface	Square	Square	Square
Weblink	www.tr-electronic.com/s/S008480	www.tr-electronic.com/s/S008481	www.tr-electronic.com/s/S008482
QR-Code			

Can't find the right variant? Please contact us (info@tr-electronic.de)

Up to 65,536 pulses

Product	IOV58:2 	IOS58:2 	IOH58:2 	
Detection	Optical (O)	Optical (O)	Optical (O)	
Supply	24 VDC (4,5 ... 27)	24 VDC (4,5 ... 27)	24 VDC (4,5 ..27)	
Steps per turn	$\geq 2 \dots \leq 65536$	$\geq 2 \dots \leq 65536$	$\geq 2 \dots \leq 65536$	
Shaft diameters available	6, 8, 10, 12, 14, 1/4", 3/8", 1/2"	6, 8, 10, 12, 14, 15, 1/4", 3/8", 1/2"	6, 8, 10, 12, 14, 15, 1/4", 3/8", 1/2"	
Connectors	Connector or cable	Connector or cable	Connector or cable	
Ambient temperature	-40...+75 °C	-40...+75 °C	-40...+75 °C	
Protection class	IP67 / shaft IP65	IP67 / shaft IP65	IP67 / shaft IP65	
ATEX zone				
Interface	Square	Square	Square	
Weblink	www.tr-electronic.com/s/S008483	www.tr-electronic.com/s/S008484	www.tr-electronic.com/s/S008485	
QR-Code				

Double detection (D)

<p>IDV58</p> 	<p>IDS58</p> 
<p>Double detection (D)</p>	<p>Double detection (D)</p>
<p>24 VDC (11 .. 28), 5V DC (+-5%)</p>	<p>24 VDC (11 ... 28), 5V DC (+-5%)</p>
<p>$\geq 2 \dots \leq 1024, 2048, 4096, 8192$</p>	<p>$\geq 2 \dots \leq 1024, 2048, 4096, 8192$</p>
<p>6, 8, 10, 12, 3/8"</p>	<p>8, 10, 11, 12</p>
<p>Connector or cable</p>	<p>Connector or cable</p>
<p>0...+60 °C</p>	<p>0...+60 °C</p>
<p>IP65</p>	<p>IP65</p>
<p>Square</p>	<p>Square</p>
<p>www.tr-electronic.com/s/S008486</p>	<p>www.tr-electronic.com/s/S008487</p>
	

Suggested Products

Order code	Steps per Turn	Channels	Shaft / Flange	Connector Position	Cable length	Remark
IEV58:2						
IEV582-00006	10.000*	(K1/K2)+Inv.; K0+Inv.	6GL/10; ZB50	cable radial, open end	2 m	
IEV582-00004	10.000*	(K1/K2)+Inv.; K0+Inv.	8FL/19,5; ZB36 3xM3+3xM4	cable radial, open end	2 m	
IEV582-00001	10.000*	(K1/K2)+Inv.; K0+Inv.	10FL/19,5; ZB36 3xM3+3xM4	M23, 12 pin, radial		
IEV582-00002	10.000*	(K1/K2)+Inv.; K0+Inv.	10FL/19,5; ZB36 3xM3+3xM4	M23, 12 pin, axial		
IEV582-00005	10.000*	(K1/K2)+Inv.; K0+Inv.	10FL/19,5; ZB36 3xM3+3xM4	cable radial, open end	2 m	
IEV582-00019	10.000*	(K1/K2)+Inv.; K0+Inv.	10FL/19,5; ZB50	M23, 12 pin, radial		
IEV582-00022	10.000*	(K1/K2)+Inv.;	6GL/10; ZB50	M12, 8 pin, radial		
IEV582-00030	10.000*	(K1/K2)+Inv.; K0+Inv.	6GL/10; ZB50	M23, 12 pin, radial		
IEV582-00023	10.000*	(K1/K2)+Inv.; K0+Inv.	12NUT/25; ZB50	M23, 12 pin, radial		
IEV582-00024	10.000*	(K1/K2)+Inv.;	12NUT/25; ZB50	M12, 8 pin, radial		
IEV582-00007	10.000*	(K1/K2)+Inv.; K0+Inv.	3/8" FL/22,3; ZB31,75 Sqr.	cable radial, open end	2 m	

For further product information simply enter the order number in the search field at www.tr-electronic.com.

Suggested Products

Order code	Steps per Turn	Channels	Shaft / Flange	Connector Position	Cable length	Remark
IEH58:2						
IEH582-00011	10.000*	(K1/K2)+Inv.; K0+Inv.	6H7	cable radial, open end	2 m	Torque support, clamping ring flange side
IEH582-00012	10.000*	(K1/K2)+Inv.; K0+Inv.	8H7	cable radial, open end	2 m	Torque support, clamping ring flange side
IEH582-00004	10.000*	(K1/K2)+Inv.; K0+Inv.	10H7	M23, 12 pin, radial		Torque support, clamping ring flange side
IEH582-00008	10.000*	(K1/K2)+Inv.; K0+Inv.	10H7	cable radial, open end	2 m	Torque support, clamping ring flange side
IEH582-00003	10.000*	(K1/K2)+Inv.; K0+Inv.	12H7	M23, 12 pin, radial		Torque support, clamping ring flange side
IEH582-00007	10.000*	(K1/K2)+Inv.; K0+Inv.	12H7	cable radial, open end	2 m	Torque support, clamping ring flange side
IEH582-00013	10.000*	(K1/K2)+Inv.; K0+Inv.	12H7	M23, 12 pin, radial		Flange ring with pin, clamping ring flange side
IEH582-00018	10.000*	(K1/K2)+Inv.;	12H7	M12, 8 pin, radial		Torque support, clamping ring flange side
IEH582-00002	10.000*	(K1/K2)+Inv.; K0+Inv.	14H7	M23, 12 pin, radial		Torque support, clamping ring flange side
IEH582-00009	10.000*	(K1/K2)+Inv.; K0+Inv.	14H7	cable radial, open end	2 m	Torque support, clamping ring flange side
IEH582-00001	10.000*	(K1/K2)+Inv.; K0+Inv.	15H7	M23, 12 pin, radial		Torque support, clamping ring flange side
IEH582-00010	10.000*	(K1/K2)+Inv.; K0+Inv.	15H7	cable radial, open end	2 m	Torque support, clamping ring flange side
IEH582-00006	10.000*	(K1/K2)+Inv.; K0+Inv.	1/2"H7	M23, 12 pin, radial		Torque support, clamping ring flange side
IEH582-00005	10.000*	(K1/K2)+Inv.; K0+Inv.	3/8"H7	M23, 12 pin, radial		Torque support, clamping ring flange side

For further product information simply enter the order number in the search field at www.tr-electronic.com.

Suggested Products

Order code	Steps per Turn	Channels	Shaft / Flange	Connector Position	Cable length	Remark
IES58:2*10000 INC_PP DMS 10H7 KRF						
IES582-00005	10.000*	(K1/K2)+Inv.; K0+Inv.	10H7	cable radial, open end	2 m	Torque support, clamping ring flange side
IES582-00007	10.000*	(K1/K2)+Inv.; K0+Inv.	10H7	M23, 12 pin, radial		Torque support, clamping ring flange side
IES582-00006	10.000*	(K1/K2)+Inv.; K0+Inv.	12H7	M23, 12 pin, radial		Torque support, clamping ring flange side
IES582-00008	10.000*	(K1/K2)+Inv.; K0+Inv.	12H7	M23, 12 pin, radial		Torque support, clamping ring flange side, TTL
IES58:2-00003	10.000*	(K1/K2)+Inv.; K0+Inv.	14H7	M23, 12 pin, radial		Torque support, clamping ring flange side
IES582-00003	10.000*	(K1/K2)+Inv.; K0+Inv.	14H7	M23, 12 pin, radial		Torque support, clamping ring flange side
IES582-00004	10.000*	(K1/K2)+Inv.; K0+Inv.	14H7	cable radial, open end	2 m	Torque support, clamping ring flange side
IES582-00001	10.000*	(K1/K2)+Inv.; K0+Inv.	15H7	cable radial, open end	2 m	Torque support, clamping ring flange side
IES582-00002	10.000*	(K1/K2)+Inv.; K0+Inv.	15H7	M23, 12 pin, radial		Torque support, clamping ring flange side

For further product information simply enter the order number in the search field at www.tr-electronic.com.

Suggested Products

Order code	Steps per Turn	Channels	Shaft / Flange	Connector Position	Cable length	Remark
IOV58:2*65536 INC_PP 50ZB6GL						
IOV582-00005	65.536*	(K1/K2)+Inv.;	6GL/10; ZB50	M12, 8 pin, radial		
IOV582-00007	65.536*	(K1/K2)+Inv.;	10FL/19,5; ZB36 3xM3+3xM4	M12, 8 pin, radial		
IOV582-00001	65.536*	(K1/K2)+Inv.; K0+Inv.	10 key /19,5; ZB36 3xM3+3xM4	M23, 12 pin, radial		TTL
IOV582-00009	65.536*	(K1/K2)+Inv.;	12 key /25; ZB36 3xM3+3xM4	M12, 8 pin, radial		

For further product information simply enter the order number in the search field at www.tr-electronic.com.

Further product information

1. Enter order code into ...



2. Searchfield (top right) on www.tr-electronic.com



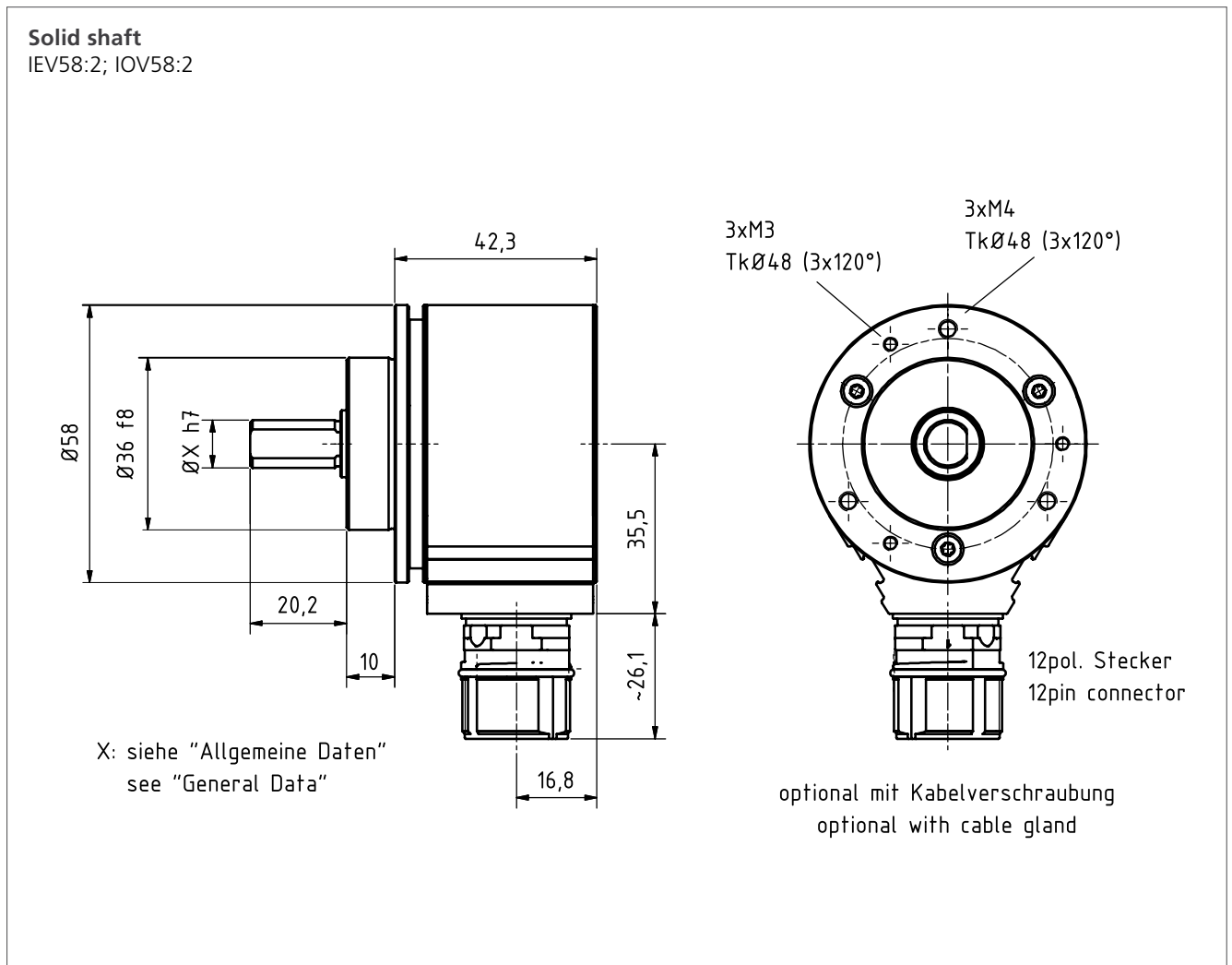
3. Choose desired information



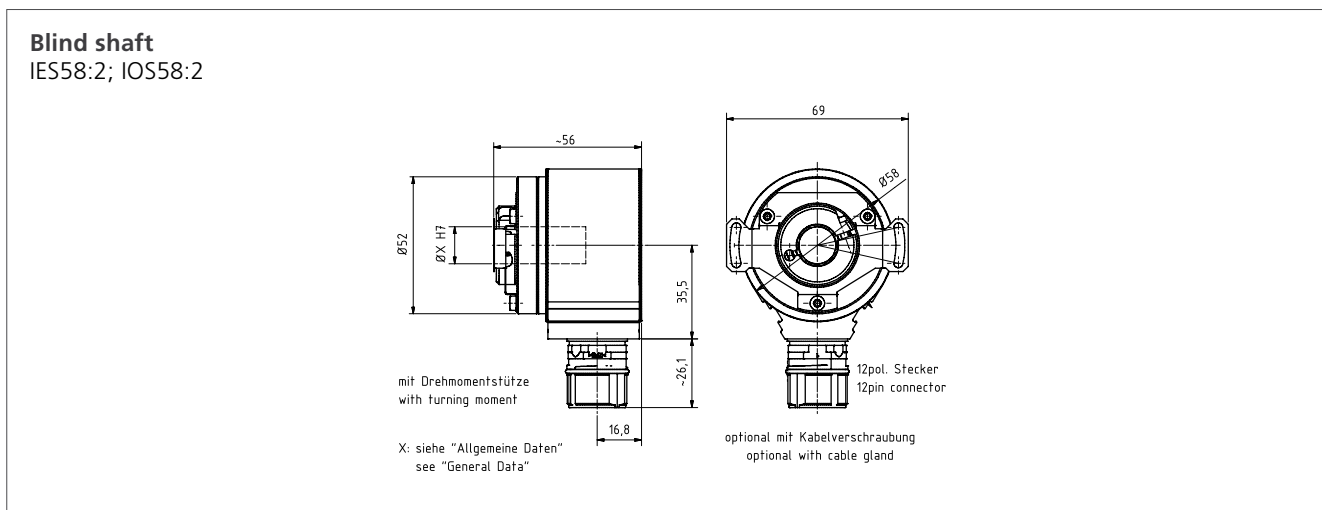
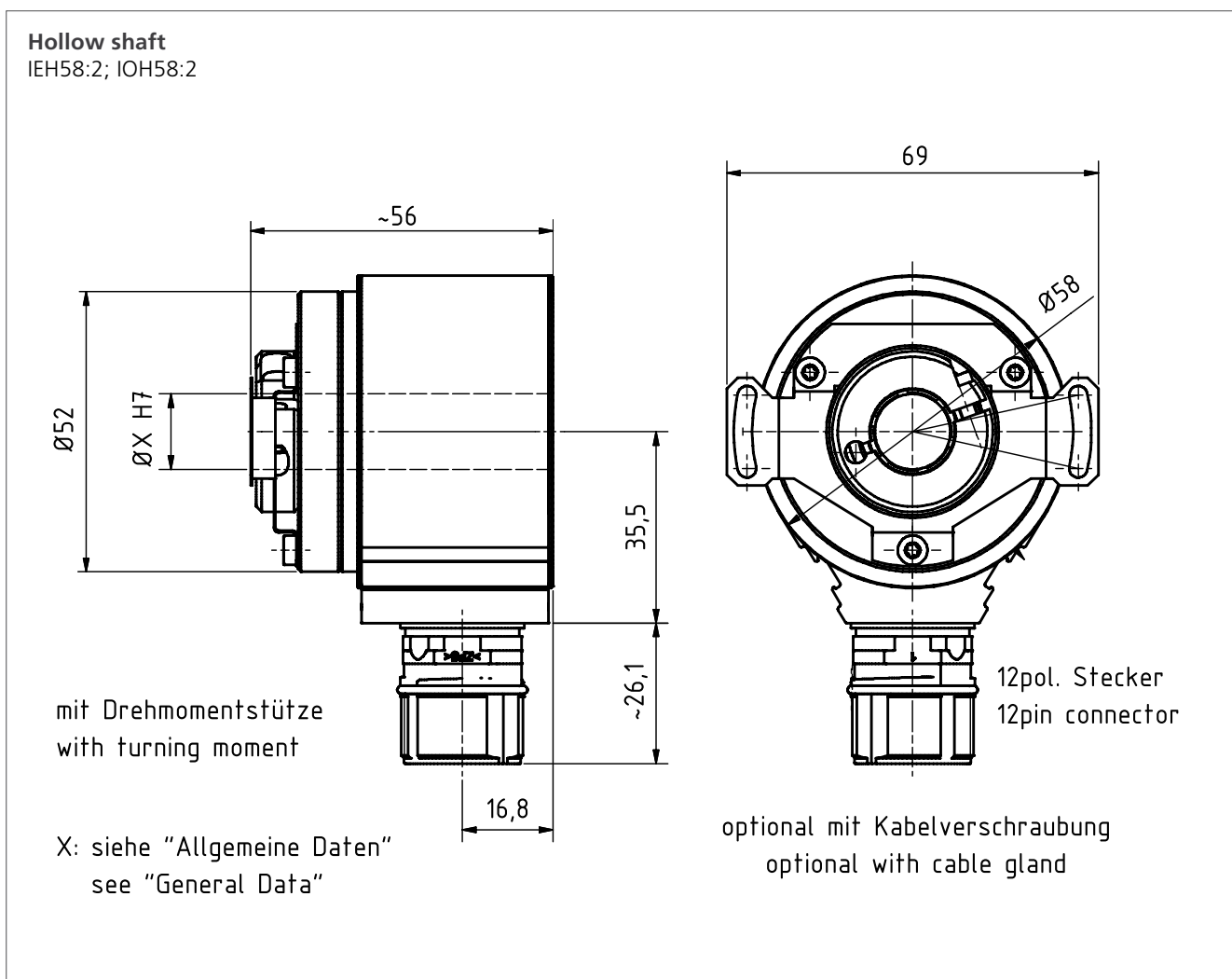
* Programmable, preset

We will help you to select the most suitable products from the complete TR range. Please contact us (info@tr-electronic.de).

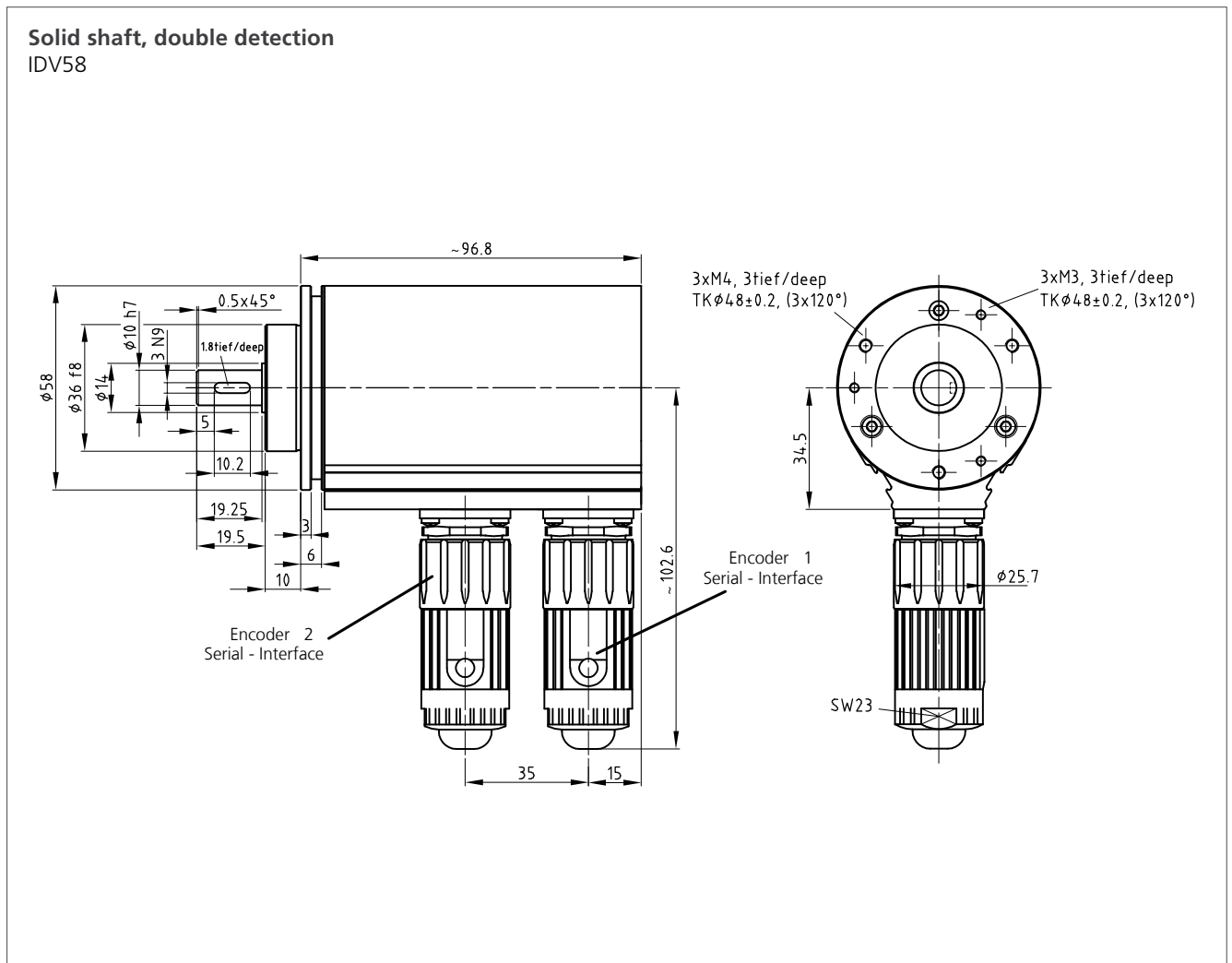
Dimensional Drawings



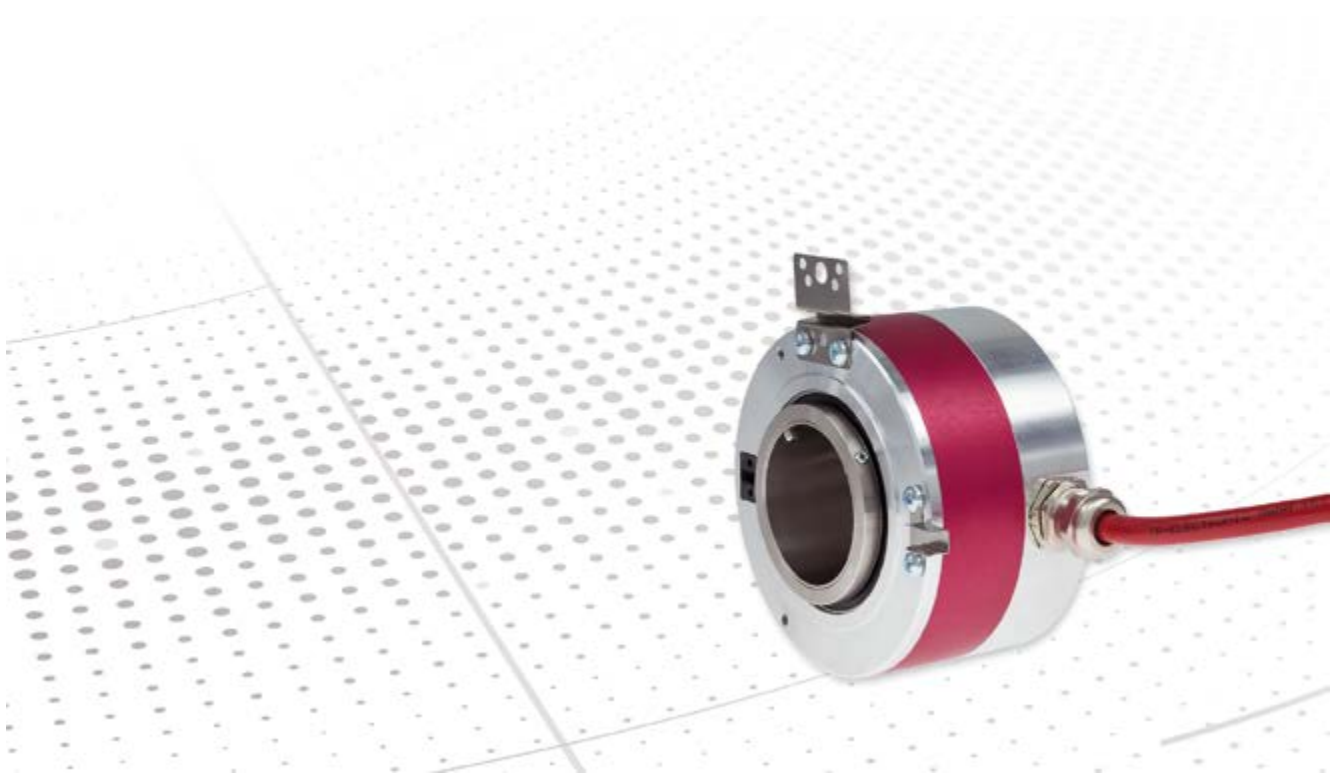
Dimensional Drawings



Dimensional Drawings



Incremental Rotary - Family I_H110 - Housing 110 mm



Programmable resolution with hollow shaft up to 50 mm in diameter





Programmable incremental encoders from family 110 fit big shaft diameters of up to 50 mm. You adapt the resolution of our programmable incremental rotary encoders via software to meet your demands.

Depending on the required resolution, IEH 110 with up to 8192 steps per turn or IOH 110 with up to 36,000 steps per turn fit your needs.

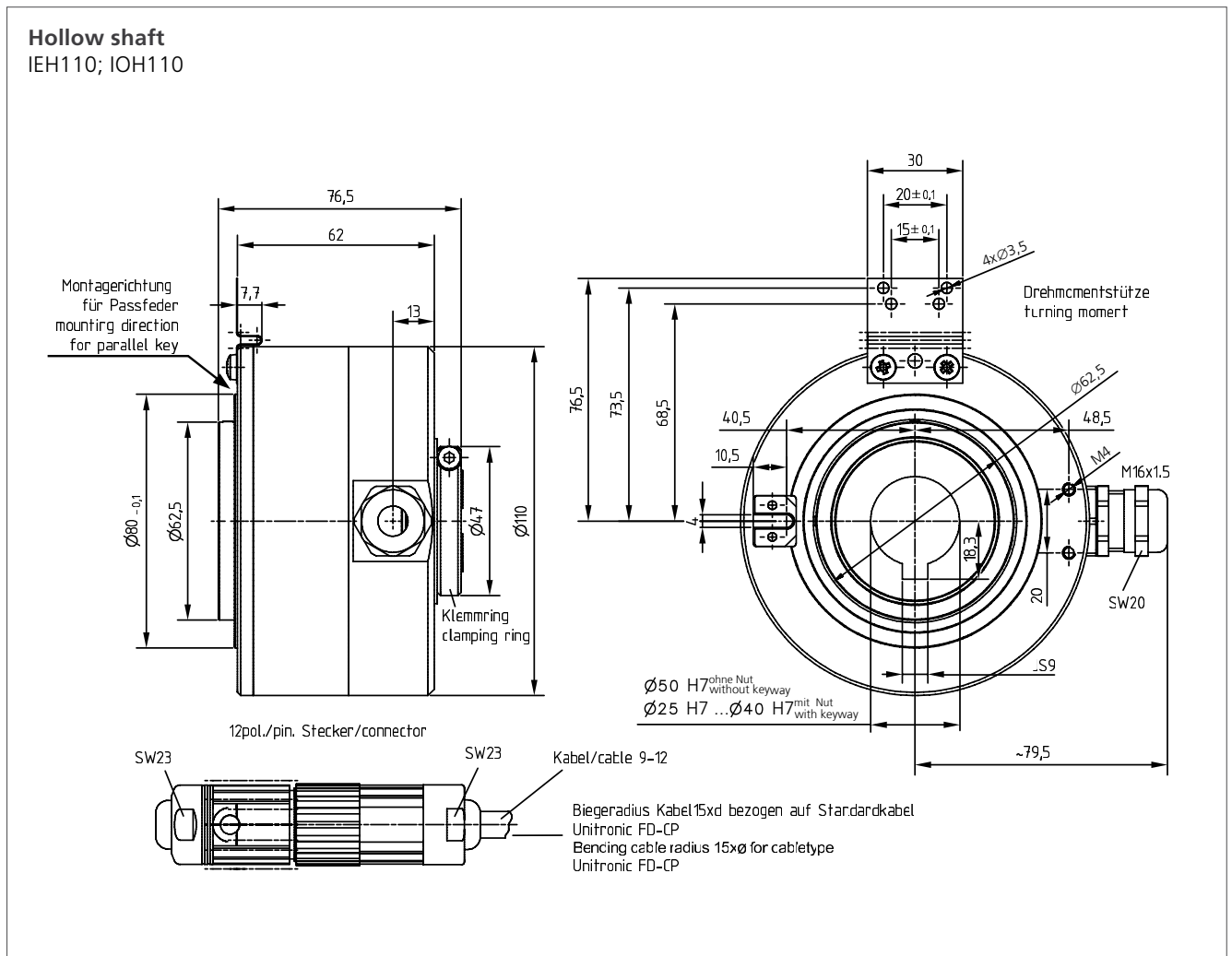
Contents

Products.....	21
Dimensional Drawings.....	22

Up to 8,192 pulses
Up to 36,000 pulses

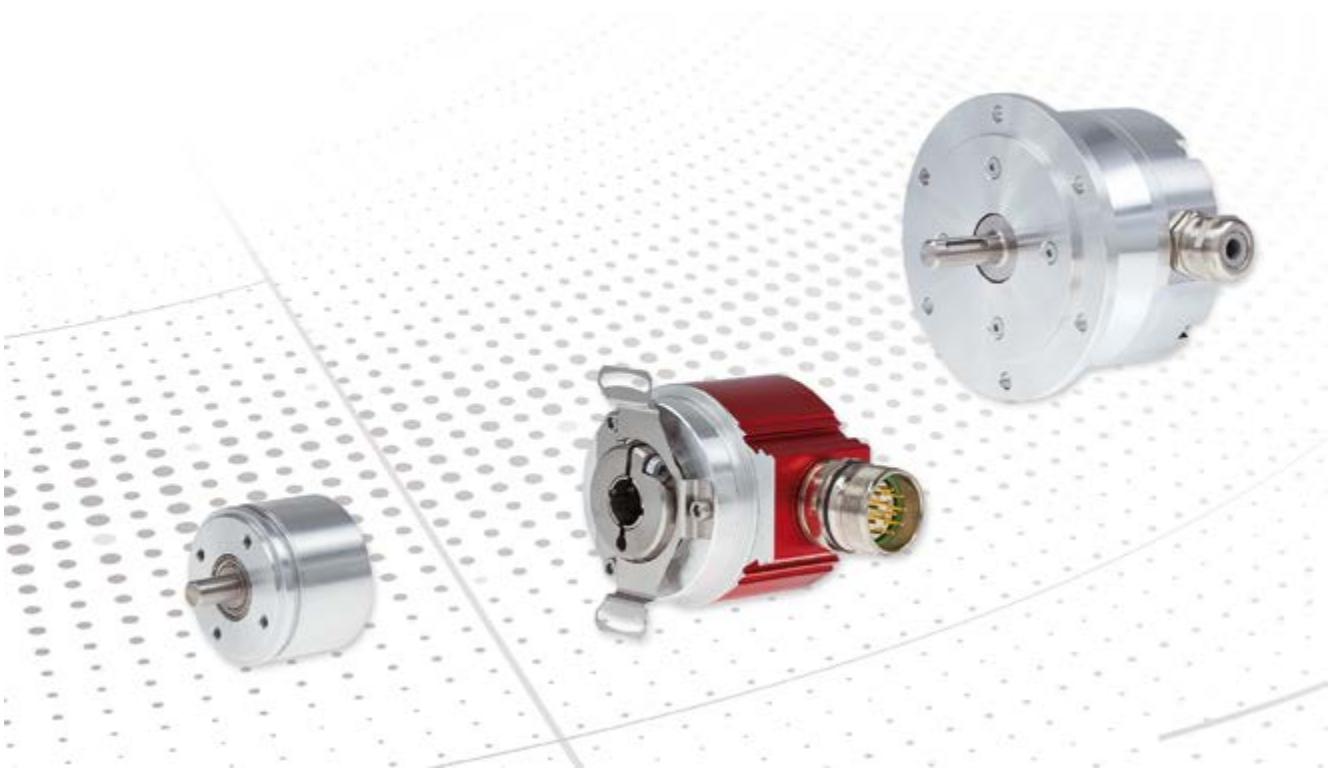
Product	IEH110	IOH110
		
Detection	Optical (E)	Optical (O)
Supply	24 VDC (11...27)	24 VDC (11...27)
Steps per turn	2 ... 8192	2 ... 36 000
Shaft diameters available	15, 28, 30, 35, 38, 40, 45, 50	15, 28, 30, 35, 38, 40, 45, 50
Connectors	Connector or cable	Connector or cable
Ambient temperature	0...+60°C (option -20...+70°C)	0...+60°C (option -20...+70°C)
Protection class	IP54	IP54
ATEX zone		
Interface	Square	Square
Weblink	www.tr-electronic.com/s/S008494	www.tr-electronic.com/s/S008495
QR-Code		

Dimensional Drawings





Incremental Rotary Encoders - Resolution Factory Set



Resolution factory set

Our incremental rotary encoders with resolution preconfigured in the factory can be used in all applications which require the basic functions of incremental position detection.

The resolution of these incremental rotary encoders is set ex-factory by fitting a code disk with a defined number of lines respectively programming the detection electronic with the requested number of lines. These incremental

rotary encoders are available in different sizes from 24 mm - 130 mm. Of course they are also available with different mechanical connections such as solid shaft, continuous hollow shaft, blind shaft or integrated coupling.

Contents

Products.....	25
Suggested Products.....	32
Dimensional Drawings.....	34

Solid shaft

Product	IE35 	IMV36 	IE40 
Detection	Optical (E)	Magnet detection (M)	Optical (E)
Supply	11...27 VDC (5 VDC \pm 5 %)	11...27 VDC (5 VDC \pm 5 %)	11...27 VDC (5 VDC \pm 5 %)
Steps per turn	1...3.600	8, 10, 16, 20, 25, 32, 40, 50, 64, 80, 100, 125, 128, 200, 250, 256, 400, 500, 512, 1024, 2048*	1...3.600
Shaft diameters available	4...6	See drawing	6
Connectors	Cable	Cable	Connector or cable
Ambient temperature	0...+80 °C	-40...+70 °C	0...+80 °C
Protection class	IP65	IP65	IP64
Interface	Square	Square	Square
Weblink	www.tr-electronic.com/s/S008423	www.tr-electronic.com/s/S008422	www.tr-electronic.com/s/S008424
QR-Code			

*Others on request

Can't find the right variant? Please contact us (info@tr-electronic.de)

Solid shaft

Product	IE58	IPV58	IE92V	
				
Detection	Optical (E)	Magnet detection (P)	Optical (O)	
Supply	11...27 VDC (5 VDC ± 5 %)	4,75 27 VDC	11...27 VDC (5 VDC ± 5 %)	
Steps per turn	1...10.000	2...8192	9000, 10000, 18000	
Shaft diameters available	6, 10, inch based	6, 8, 10, 12, 14, 1/4", 3/8", 1/2"	10	
Connectors	Connector or cable	Connector or cable	Cable	
Ambient temperature	0...+70 °C (-20...+70 °C)	-25...+85°C	0...+80 °C	
Protection class	IP65	IP65	IP64	
Interface	Square / Sine-Cosine	Square / Sine-Cosine	Square	
Weblink	www.tr-electronic.com/s/S008425	www.tr-electronic.com/s/S018156	www.tr-electronic.com/s/S008431	
QR-Code				

*Others on request

Solid shaft Blind shaft

<p>IV99</p> 	<p>IS24</p> 	<p>IS58U</p> 	<p>IPS58</p> 
Optical (E)	Optical (E)	Optical (E)	Magnet detection (P)
11...30 VDC	11...27 VDC (5 VDC ± 5 %)	11...27 VDC (5 VDC ± 5 %)	4,75 27 VDC
1024, 2048, 4096, 8192, 16384, 32768*	1...2.500	7, 10, 18, 20, 32, 40, 50, 60, 64, 100, 125, 128, 180, 200, 250, 300, 360, 400, 440, 500, 512, 700, 900, 1000, 1024, 1250, 1500, 1885, 2000, 2048, 2500, 2600, 3600, 4000, 4096*	2...8192
6...24 (with groove 10...24)	3...6H7	8H7, 10H7, 12H7	6, 8, 10, 12, 14, 15, 1/4", 3/8", 1/2"
Cable gland	Cable	Connector or cable	Connector or cable
-20...+80°C	0...+80 °C	-20...+85 °C	-25...+85°C
IP67	IP64	IP67	IP65
Square	Square	Square	Square / Sine-Cosine
www.tr-electronic.com/s/S008432	www.tr-electronic.com/s/S008420	www.tr-electronic.com/s/S008428	www.tr-electronic.com/s/S018157
			

*Others on request

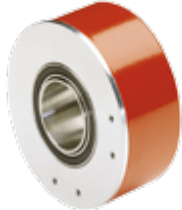
Can't find the right variant? Please contact us (info@tr-electronic.de)

Blind shaft

Product	IS99 	IMF36 	IH58 	
Detection	Optical (E)	Magnet detection (P)	Optical (E)	
Supply	11...30 VDC	11...27 VDC (5 VDC ± 5 %)	11...27 VDC (5 VDC ± 5 %)	
Steps per turn	1024, 2048, 4096, 8192, 16384, 32768	8, 10, 16, 20, 25, 32, 40, 50, 64, 80, 100, 125, 128, 200, 250, 256, 400, 500, 512, 1024, 2048	1...10.000	
Shaft diameters available	16G7 & 17JS8 (Cone)	See drawing	<= 12 H7	
Connectors	Cable gland	Cable	Connector or cable	
Ambient temperature	-20...+80°C	-40...+70 °C	0...+80 °C	
Protection class	IP67	IP65	IP64	
Interface	Square	Square / Sine-Cosine	Square / Sine-Cosine	
Weblink	www.tr-electronic.com/s/S008433	www.tr-electronic.com/s/S008421	www.tr-electronic.com/s/S008427	
QR-Code				

*Others on request







Hollow shaft

<p>IH20</p> 	<p>IH76A</p> 	<p>IH76B</p> 	<p>IH76V</p> 
Optical (E)	Optical (E)	Optical (E)	Optical (O)
11...27 VDC (5 VDC ± 5 %)	11...27 VDC (5 VDC ± 5 %)	11...27 VDC (5 VDC ± 5 %)	11...27 VDC (5 VDC ± 5 %)
1, 25, 30, 200, 218, 360, 500, 900, 1000, 1024*	1...10.000	1...10.000	9000, 10000, 18000
20H7	<= 15H7	<= 28H7	<= 28H7
Connector or cable	Connector or cable	Connector or cable	Connector or cable
0...+60 °C (-20...+70 °C)	0...+80 °C	0...+80 °C	0...+80 °C
IP54 (option IP65)	IP64	IP64	IP64
Square	Square / Sine-Cosine	Square / Sine-Cosine	Square
www.tr-electronic.com/s/S008418	www.tr-electronic.com/s/S008429	www.tr-electronic.com/s/S008429	www.tr-electronic.com/s/S008429
			

*Others on request

Can't find the right variant? Please contact us (info@tr-electronic.de)



Hollow shaft

Product	IH92V 	IH120 	IH120V 	
Detection	Optical (O)	Optical (E)	Optical (O)	
Supply	11...27 VDC (5 VDC ± 5 %)	11...27 VDC (5 VDC ± 5 %)	11...27 VDC (5 VDC ± 5 %)	
Steps per turn	9000, 10000, 18000	1024, 2500, 3600, 10000*	9000, 10000, 18000	
Shaft diameters available	20H7, 22H7	27...55H7	27...55H7	
Connectors	Cable	Cable	Cable	
Ambient temperature	0...+80 °C	0...+80 °C	0...+80 °C	
Protection class	IP64	IP52 (option IP65)	IP64	
Interface	Square	Square	Square	
Weblink	www.tr-electronic.com/s/S008430	www.tr-electronic.com/s/S008434	www.tr-electronic.com/s/S008434	
QR-Code				

*Others on request

Can't find the right variant? Please contact us (info@tr-electronic.de)

Hollow shaft

	<p>IH92V</p> 
	Optical (O)
	11...27 VDC (5 VDC \pm 5 %)
	9000, 10000, 18000
	20H7, 22H7
	Cable
	0...+80 °C
	IP64
	Square
	www.tr-electronic.com/s/S008430
	

*Others on request

Can't find the right variant? Please contact us (info@tr-electronic.de)

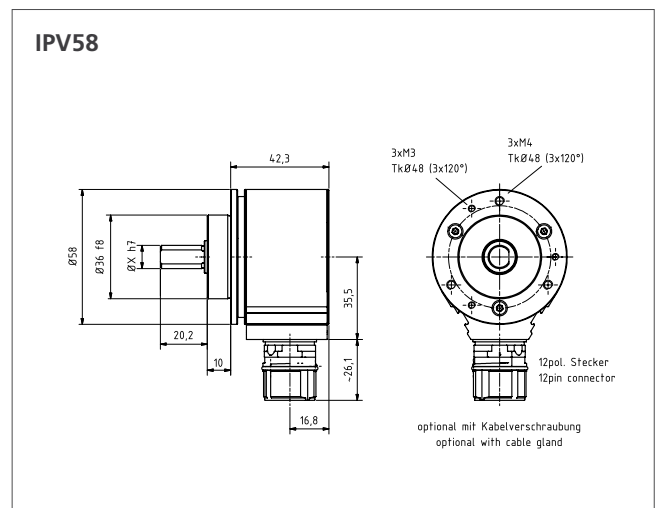
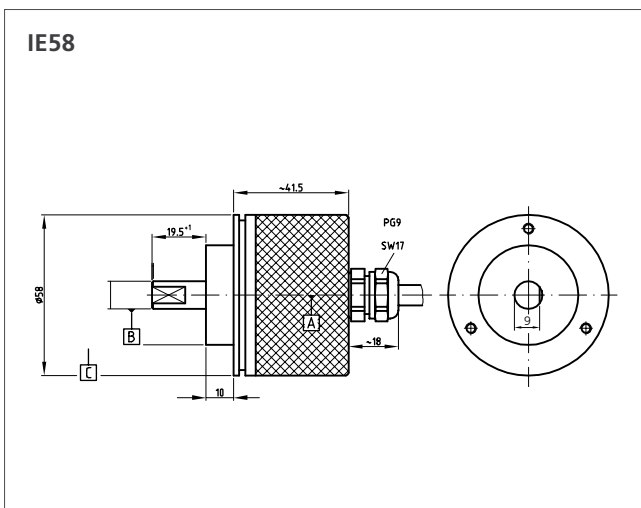
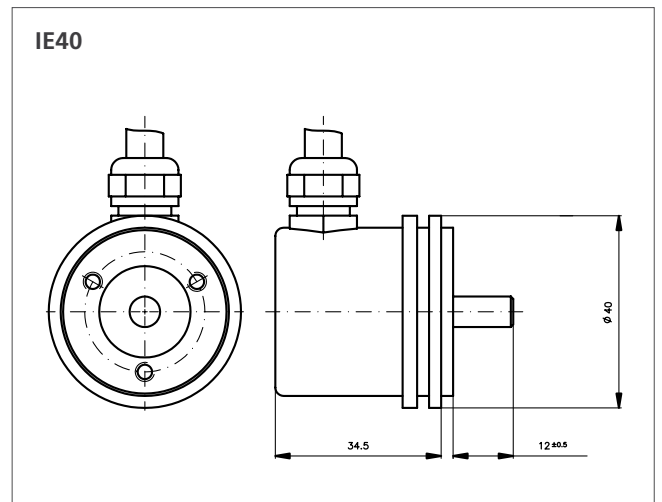
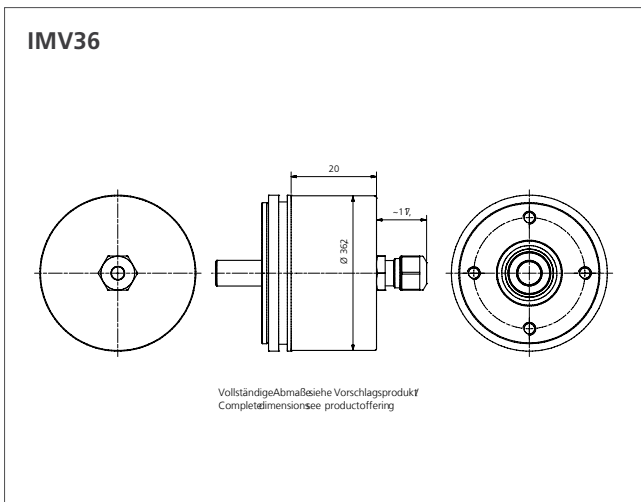
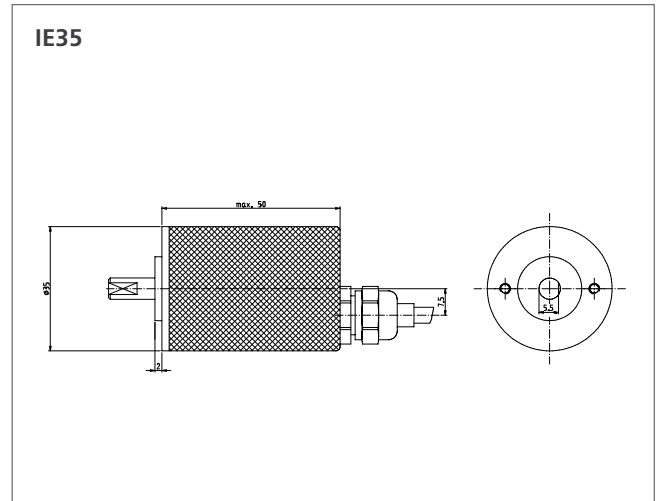
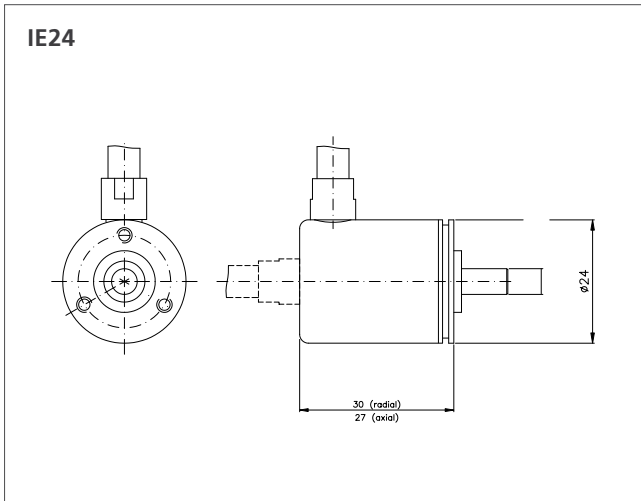
Suggested Products

Order code	Steps per turn	Channels	Shaft / Flange	Connector position	Cable length	Remark
IE24						
216-00002	500	A,VA, B,VB, 0,0	6GL9 ZB12	open End Cable gland AXIAL	2,000 m	
IE58A						
219-00059	1024	A,VA, B,VB, 0,0	10FL/19,5 ZB36	M23 12P RADIAL		
219-00292	10000	A,VA, B,VB, 0,0	6GL/10 ZB50	M23 12P AXIAL		
219-00590	10000	A,VA, B,VB, 0,0	10FL/19,5 ZB36	M23 12P RADIAL		
219-01530	2048	A,VA, B,VB, 0,0	10FL/19,5 ZB36	M23 12P RADIAL		
219-01634	2048	A,VA, B,VB, 0,0	10FL/19,5 ZB36	M23 12P RADIAL		Sin/cos voltage
IH20						
240-00001	25	A, B	20H7 hollow shaft	LEMO 6P		
240-00005	1024	A,VA, B,VB, 0,0	20H7 hollow shaft	BINDER 12P		
240-00148	1024	A,VA, B,VB, 0,0	20H7 hollow shaft	open End cable gland RADIAL	5.000 m	
240-00161	1000	A,VA, B,VB, 0,0	20H7 hollow shaft	LUMBERG 8P		
IMF36						
IMF36-00005	2048	A,VA, B,VB, 0,0	bearing free	open End 1X M6 AXIAL	1.000 m	
IMF36-00012	2048	A,VA, B,VB, 0,0	bearing free	SUBD 9P 1X M6 AXIAL	1.000 m	
IMV36						
IMV36-00016	2048	A,VA, B,VB, 0,0	6GL/10,8 ZB33	open end cable gland axial	1,000 m	
IMV36-00025	2048	A,VA, B,VB, 0,0	6GL/10,8 ZB33	open end cable gland axial	3,000 m	
IS24						
215-00002	500	A,VA, B,VB, 0,0	4H7 blind shaft	open End Cable gland RADIAL	2.000 m	
IS99						
IS99-00001	2048	A,VA, B,VB, 0,0	16G7 blind shaft	Cable gland M20x1,5 radial		
IS99-00003	1024	A,VA, B,VB, 0,0	16G7 blind shaft	Cable gland M20x1,5 radial		
IS99-00004	1024	A,VA, B,VB, 0,0	16G7 blind shaft	Cable gland M20x1,5 radial		

For further product information simply enter the order number in the search field at www.tr-electronic.com.

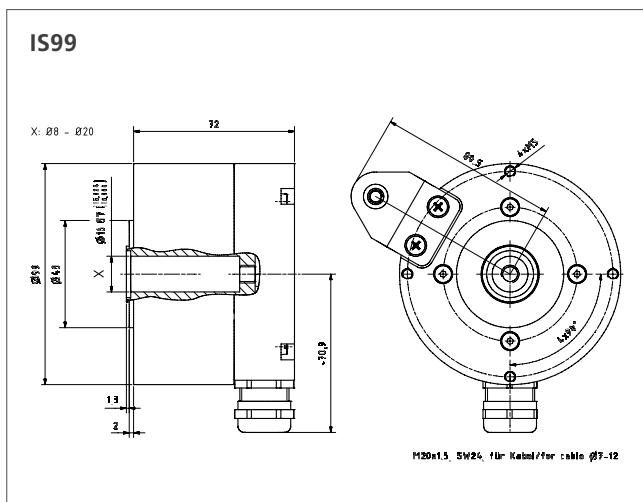
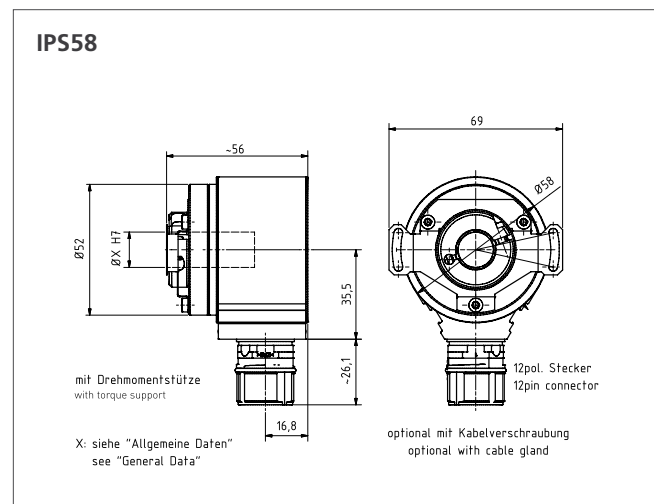
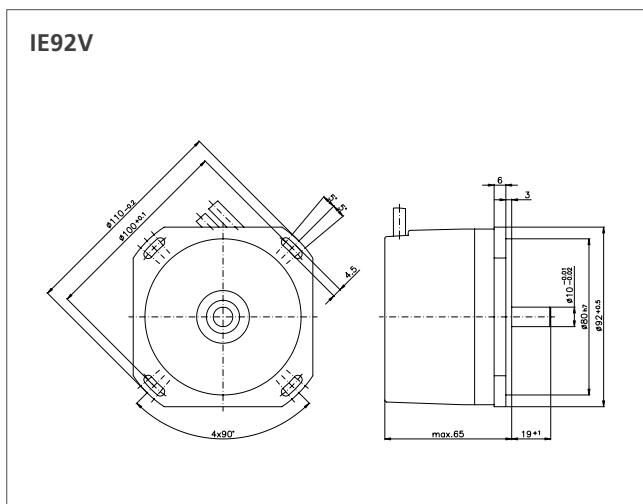
We will help you to select the most suitable products from the complete TR range. Please contact us (info@tr-electronic.de).

Dimensional Drawings

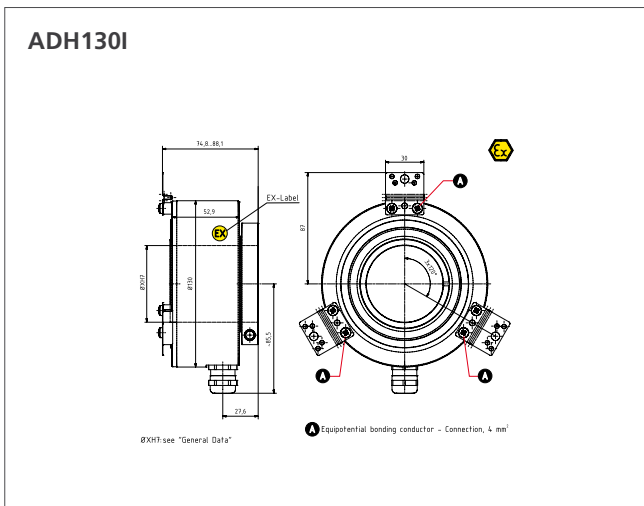
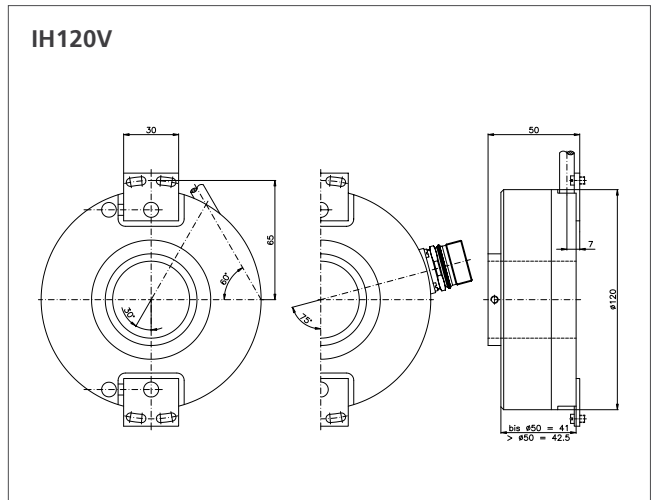
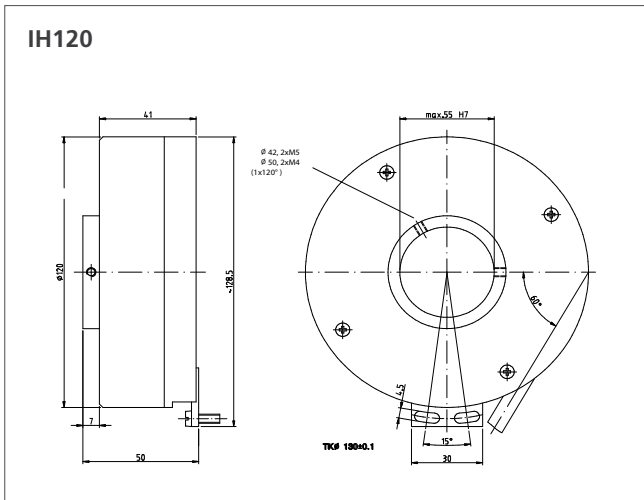
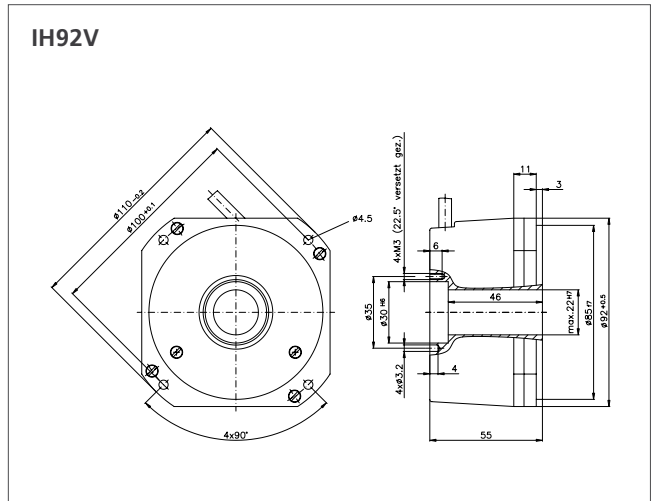
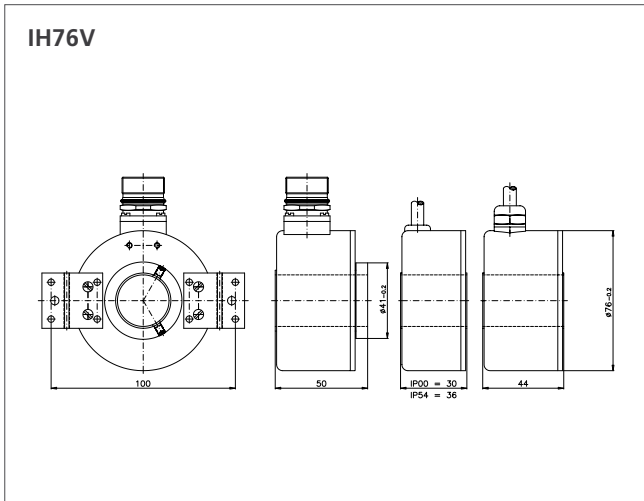


Illustrations are schematic diagrams. Binding dimension drawings and CAD data for specific order numbers at www.tr-electronic.com or on request.

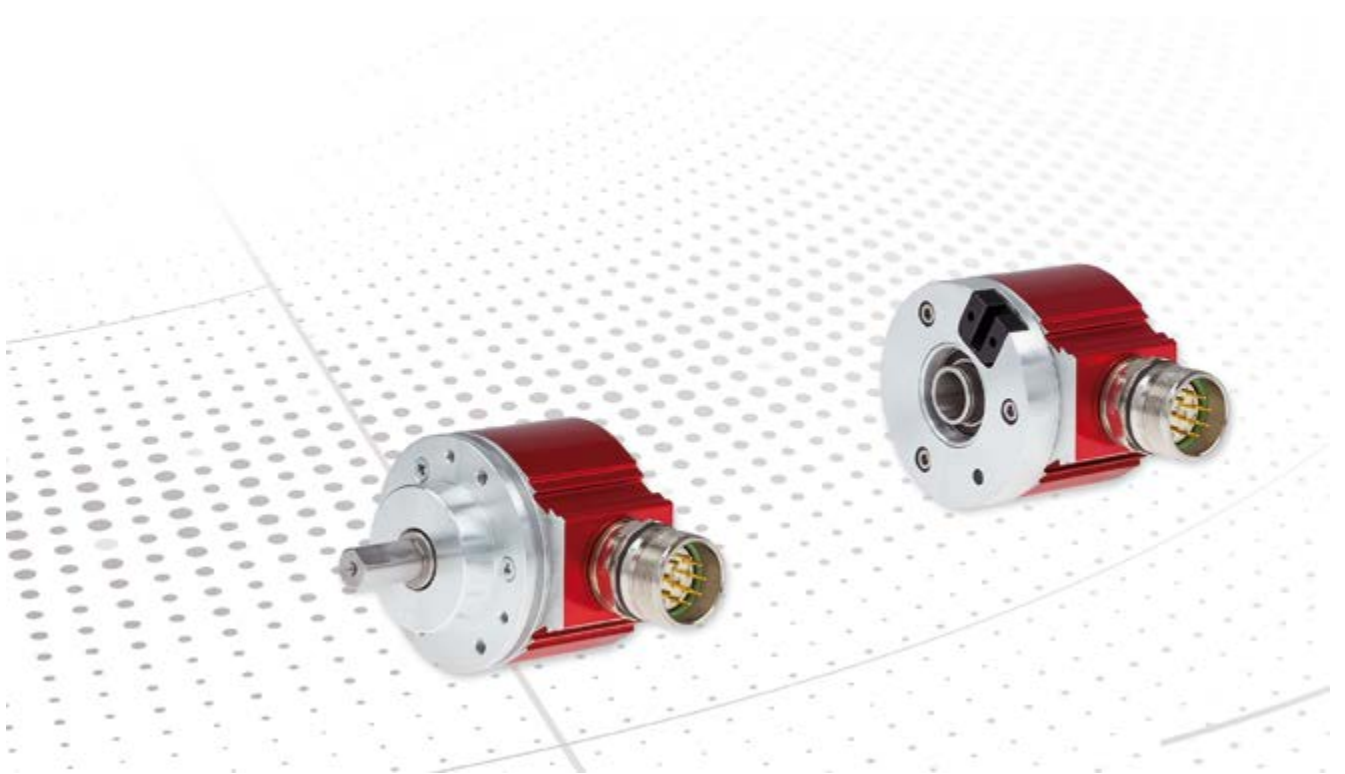
Dimensional Drawings



Dimensional Drawings



Incremental rotary encoders – I_58+FS - Housing 58 mm



Safety-oriented incremental rotary encoder







For applications that require a safety classification according to SIL / PL, TR-Electronic provides the safety certified incremental encoder IE58-FS. The user can choose between square-wave signals (with TTL or HTL level) and sine-cosine interface. The rotary encoder is certified for applications with SIL 3 or PLe (depending on used safety module). The rotary encoder permits the operating modes SLS, SOS SSR, SDI and SSM in conjunction with an appropriate safety module. The encoders are not programmable; the resolution is provided safely and long term stable by the coded glass disk. 1024,

2048 and 4096 periods per revolution and a zero pulse may be selected. The signal paths are designed differentially. As a result the signal is immune to disturbance and failure of a driver can be reliably detected. The incremental rotary encoder is connected to the driving axis either with a solid shaft, blind shaft (IS58+FS) or a hollow shaft (IH58+FS). The form closure necessary for reliable measurement is implemented through a groove in the shaft - in the case of solid-shaft rotary encoders the appropriate spring is included in the scope of supply.

Contents

Products.....	39
Suggested Products.....	40
Dimensional Drawings.....	41

Solid shaft

Product	IE58+FS	IH58+FS	IS58+FS
			
Detection	Optical	Optical	Optical
Supply	10...30 Vdc (SELV/PELV)	10...30 Vdc (SELV/PELV)	10...30 Vdc (SELV/PELV)
Steps per turn	1.024, 2.048, 4.096	1.024, 2.048, 4.096	1.024, 2.048, 4.096
Shafts available	10 mm Solid shaft with keyway/Groove	12 mm hollow shaft with keyway	12 mm blind shaft with keyway
Connectors	M23 12-pin, M12 8-pin, cable, radial or axial	M23 12-pin, M12 8-pin, cable, radial	M23 12-pin, M12 8-pin, cable, radial or axial
Ambient temperature	-40 ... +85 °C	-40 ... +85 °C	-40 ... +85 °C
Protection class	IP65	IP65	IP65
possible Safety functions*	SS1, SS2, SLS, SOS SSR, SDI, SSM, SLA	SS1, SS2, SLS, SOS SSR, SDI, SSM, SLA	SS1, SS2, SLS, SOS SSR, SDI, SSM, SLA
maximum SIL/PL*	SIL3, PL _e	SIL3, PL _e	SIL3, PL _e
Interface	Sinus/Cosinus Inkremental	Sinus/Cosinus Inkremental	Sinus/Cosinus Inkremental
Weblink	www.tr-electronic.com/s/S011005	www.tr-electronic.com/s/S011007	www.tr-electronic.com/s/S011008
QR-Code			

*depending on safety box used

Can't find the right variant? Please contact us (info@tr-electronic.de)

Suggested Products

Order code	Steps per turn	Channels	Shaft / Flange	Connector position	Cable length	Remark
IH58+FS						
IH58-00001	1024	(K1/K2)+Inv; K0 + Inv	12H7/Keyway;	M12, 23 pin, radial		HTL
IH58-00002	1024	(K1/K2)+Inv; K0 + Inv	12H7/Keyway;	M12, 23 pin, radial		SIN/COS
IH58-00003	1024	(K1/K2)+Inv; K0 + Inv	12H7/Keyway;	M12, 23 pin, radial		TTL
IH58-00004	2048	(K1/K2)+Inv; K0 + Inv	12H7/Keyway;	M12, 23 pin, radial		SIN/COS
IH58-00005	2048	(K1/K2)+Inv; K0 + Inv	12H7/Keyway;	M12, 23 pin, radial		TTL
IH58-00006	2048	(K1/K2)+Inv; K0 + Inv	12H7/Keyway;	M12, 23 pin, radial		HTL
IH58-00007	4096	(K1/K2)+Inv; K0 + Inv	12H7/Keyway;	M12, 23 pin, radial		SIN/COS
IH58-00008	4096	(K1/K2)+Inv; K0 + Inv	12H7/Keyway;	M12, 23 pin, radial		TTL
IH58-00009	4096	(K1/K2)+Inv; K0 + Inv	12H7/Keyway;	M12, 23 pin, radial		HTL
IV58+FS						
IV58-00001	1024	(K1/K2)+Inv; K0 + Inv	10 Keyway /19,5; ZB36/D58	M12, 23 pin, radial		HTL
IV58-00002	1024	(K1/K2)+Inv; K0 + Inv	10 Keyway /19,5; ZB36/D58	M12, 23 pin, radial		SIN/COS
IV58-00003	1024	(K1/K2)+Inv; K0 + Inv	10 Keyway /19,5; ZB36/D58	M12, 23 pin, radial		TTL
IV58-00004	2048	(K1/K2)+Inv; K0 + Inv	10 Keyway /19,5; ZB36/D58	M12, 23 pin, radial		SIN/COS
IV58-00005	2048	(K1/K2)+Inv; K0 + Inv	10 Keyway /19,5; ZB36/D58	M12, 23 pin, radial		TTL
IV58-00006	2048	(K1/K2)+Inv; K0 + Inv	10 Keyway /19,5; ZB36/D58	M12, 23 pin, radial		HTL
IV58-00007	4096	(K1/K2)+Inv; K0 + Inv	10 Keyway /19,5; ZB36/D58	M12, 23 pin, radial		SIN/COS
IV58-00008	4096	(K1/K2)+Inv; K0 + Inv	10 Keyway /19,5; ZB36/D58	M12, 23 pin, radial		TTL
IV58-00009	4096	(K1/K2)+Inv; K0 + Inv	10 Keyway /19,5; ZB36/D58	M12, 23 pin, radial		HTL

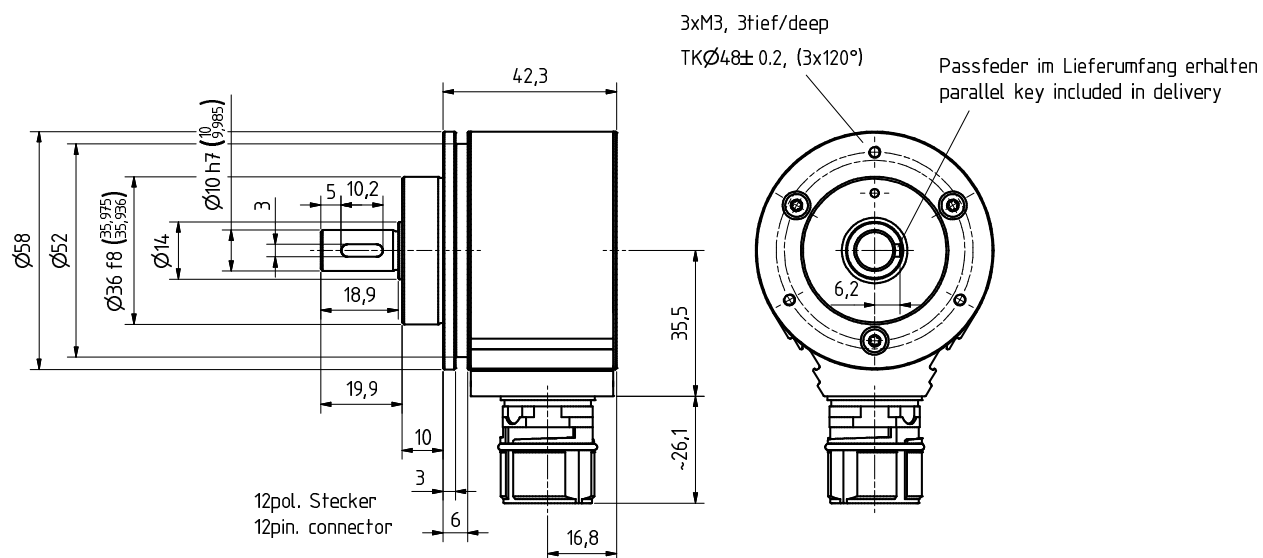
For further product information simply enter the order number in the search field at www.tr-electronic.com.

We will help you to select the most suitable products from the complete TR range. Please contact us (info@tr-electronic.de).

Dimensional Drawings

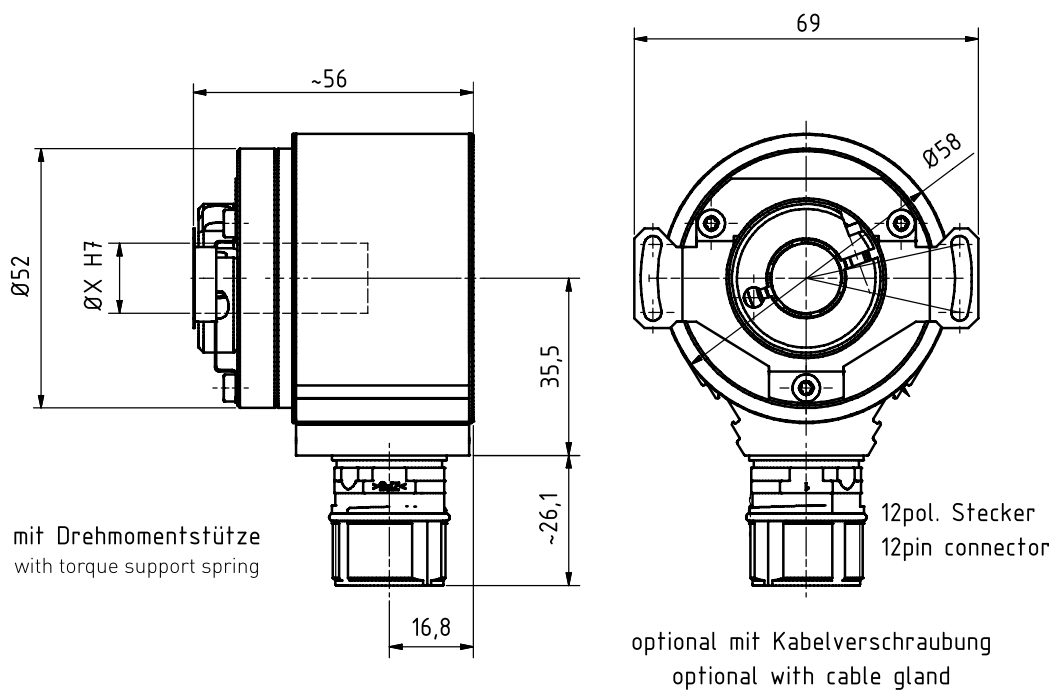
IE58+FS

Incremental encoder with solid shaft - up to SIL3/Plc



Dimensional Drawings

IS58+FS
Incremental encoder with blind shaft - up to SIL3/PLd



TR-Electronic – your partner in automation

Rotary encoders

Absolute encoder, incremental rotary encoder, wire-actuated encoder

Rotary encoders with optical and magnetic scanning function register the precise position in a wide variety of applications and industries. In medical engineering, miniature versions ensure correct positioning while SIL3-approved absolute rotary encoders provide the necessary safety. We offer not only high-quality rotary encoders (from Ø 22 to 160 mm) for almost any application but also comprehensive accessories.

Linear encoders

Linear absolute measuring systems, laser displacement measurement

Linear encoders register linear motions in machines, tools and systems according to specific requirements using different technologies. Linear encoders allow measuring distances of max. 20 m almost without any wear. This value is max. 240 m for laser measuring systems. Machines and systems can be precisely controlled to reach their desired positions.

Motion

Servo drives, compact drives, process drives

Intelligent encoTRive drives are available with the current field bus systems, such as PROFIBUS, PROFINET and CANopen, within a power range of up to 300 watts. The drives are configured to meet customer requirements and can be freely combined with precision gear, holding brake and I/O. Values of up to 4,350 rpm and powerful 200 Nm are available to cope with demanding applications.



Components

**Industrial PC, field bus I/O,
PLC, HMI controller**

Industrial PCs are available in numerous variants and offer customized calculation power for PC-assisted automation. Programmable logic controllers (PLC) are the traditional means for automation. HMI controllers establish the interface to the user. Field bus nodes, I/O modules and cam controllers complete the range of automation components.

Automation

**Consulting and implementation
for new machines and retrofit**

You want to set up a largely automated new machine or retrofit and modernize your existing machine with automation systems? Then you just need our extensive expert knowledge and the more than 20 years of our experience.

Unidor

**Blanking and forming,
systems, controls and sensors**

Trendsetting blanking and forming technology for more than 30 years. We are your reliable partner in the world of blanking and pressing and can prove this with thousands of machines which we have successfully installed all over the world. Sensors, controls and systems ensure optimal results in machines, tools and retrofit projects.



Headquarters

TR-Electronic GmbH
Eglshalde 6

D-78647 Trossingen
Germany

Tel.: +49/7425 228-0
Fax: +49/7425 228-33

info@tr-electronic.de
www.tr-electronic.de

International

Argentina

AEA Aparatos Eléctricos
Automáticos
S.A.C.I.E./Asunción 2130
AR-1419 Buenos Aires
Tel.: +54/11 - 4574 1155
Fax: +54/11 - 4574 2400
servicioalcliente@aea.com.ar
www.aea.com.ar

Brazil

Grupo C+ Tecnologia
Rua dos Caetés
601 - Perdizes
BR - São Paulo - SP
CEP-05016-081
Tel.: +55/11-2168 655-4, Fax:-5
info@ctecnologia.com.br
www.ctecnologia.com.br

Czech Republic, Slovakia

DEL a.s.
Biskupský dv r 1146/7,
Nové M sto
CZ-110 00 Praha 1
Tel.: +420/566 657 100
Fax: +420/566 621 657
tr-electronic@del.cz
www.del.cz

Great Britain

TR-Electronic Limited
4 William House, Old St.
Michaels Drive, Braintree
GB-Essex CM7 2AA
Tel.: +44/1 371-876 187
Fax: +44/1 371-876 287
info@tr-electronic.co.uk
www.tr-electronic.co.uk

Australia

Sensor Measurement
Unit 8/26 Shields Crescent
P.O. Box 1079
AU-Booragoon
Western Australia 6154
Tel.: +61/8-93 17 25 52
Fax: +61/8-93 17 24 52
sales
@sensormeasurement.com.au
www.sensormeasurement.com.au

Canada

TR Electronic
P.O. Box 2543, Station B
CDN-London, Ontario Canada
N6A 4G9
Tel.: +1/519-452 1999
Fax: +1/519-452 1177
customercare@trelectronic.com
www.trelectronic.com

Denmark

TR-Electronic Danmark ApS
Hustedgårdvej 22
DK-8722 Hedensted
Tel.: +45/75 89 06 03
cbj@tr-electronic.dk
www.tr-electronic.dk

India

Global-Tech (India) Pvt Ltd
„INFINITY House“
Survey No-85, A-1/4, Lalit Estate,
Plot No-7, Next to Eminent Building,
Near Ganaraj Chowk, Baner Road,
Pune - 411045, Maharashtra
Tel.: +91/20- 2447 00 85
Fax: +91/20- 2447 00 86
info@globaltechindia.com
www.globaltechindia.com

Austria

TR-Electronic GmbH
Tragösserstraße 117
A-8600 Bruck/Mur
Tel.: +43/3862-55006 0
Fax: +43/3862-55006 33
info@tr-electronic.at
www.tr-electronic.at

Chile

Allware, Casa Haverbeck
General Lagos 2060 2º Piso
Region de Los Rios Valdivia
CHL-Santiago Chile
Tel.: +56 63/239298
www.allware.dv.cl

Finland

Sarlin Oy Ab
P.O. Box 750
FI-00101 Helsinki
Tel.: +358/10 - 550 4000
Fax: +358/10 - 550 4201
info@sarlin.com
www.sarlin.com

Israel

Dor Engineering
P.O.Box 6
ISR-4880500 Kibutz Einat
Tel.: +972/3 9007595
Fax: +972/3 9007599
info@doreng.co.il
www.doreng.co.il

Belgium

TR-Electronic Benelux
Dorpstraat 18F
NL-5386AM Geffen
Tel.: +31/4335 23 614
Mobil: +31/6383 28 303
rene.verbruggen@tr-electronic.nl
www.tr-electronic.nl

China

TR-Electronic (Beijing) CO., LTD.
Room 717 / 718, Building A2
Electronic City Science Park
Jiu Xian Qiao Dong Road No. 9
Chaoyang District
CN-100027 Beijing, P.R. China
Tel.: +86/10 - 582 386 55
Fax: +86/10 - 582 372 10
lu.yu@tr-electronic.de
www.tr-electronic.com.cn

France

TR-Electronic France SARL
1 Av. Christian Doppler
Bâtiment 2
F-77700 Serris
Tel.: +33/1-64 63 68 68
Fax: +33/1-61 10 17 66
info@tr-electronic.fr
www.tr-electronic.fr

Italy

Telestar S.r.l., Via Novara, 35
I-28010 Vaprio D'Agogna (NO)
Tel.: +39/03-21 966-768, Fax.: -281
telestar@telestar-automation.it
www.telestar-automation.it

TR Systems Italia srl / Unidor
Via Brescia,2, I-25030 Berlingo (BS)
Tel.: +39/030 9973094
Fax: +39/030 9787629
info@trsystems.it
www.trsystems.it

Japan

SANTEST CO. LTD.
1-60 Tsuneyoshi, 1-Chome
Konohanaku
J-Osaka 554-8691
Tel.: +81/6-6465 5561
Fax: +81/6-6465 5921
info@santest.co.jp
www.santest.co.jp

Poland

Stoltronic-Polska Sp. z o.o.
ul. Dabrowskiego 238C
PL – 93-231 Lodz
Tel.: +48/42 649 12 15
Fax: +48/42 649 11 08
stoltronic@stoltronic.pl
www.stoltronic.pl

Slovenia

S.M.M. d.o.o.
Jaskova 18
SI-2001 Maribor
Tel.: +386/2450 2300
Fax: +386/2450 2302
smm@siol.net
www.smm.si

Taiwan

TR-Electronic (Beijing) CO., LTD.
Room 717 / 718, Building A2
Jiu Xian Qiao Dong Road No. 9
Chaoyang District
CN-100027 Beijing, P.R. China
Tel.: +86/10 - 582 386 55
Fax: +86/10 - 582 372 10
lu.yu@tr-electronic.de
www.tr-electronic.com.cn

Mexico

TR Electronic
P.O. Box 2543, Station B
CDN-London, Ontario Canada
N6A 4G9
Tel.: +1/519-452 1999
Fax: +1/519-452 1177
customercare@trelectronic.com
www.trelectronic.com

Republic of Korea

MS Intech Co., Ltd.
B-306, Gasan-Dong1 1 Ro 119
Keumcheon-Gu
KOR-Seoul
Tel.: +82/2-334 0577
Fax: +82/2-862 1591
sales@msintech.com
www.msintech.com

South Africa

Angstrom Engineering (Pty) Ltd.
19 Tom Muller Road
P.O. Box 793
SA-Meyerton 1960
Tel.: +27/16 3620300
Fax: +27/16 3620725
info@angstromeng.co.za
www.angstromeng.co.za

Thailand

T+R Electronic (Thailand) Co.,
Ltd.
120/62 Moo 8 Bang Sare
TH - Sattahip, Chonburi 20250
Tel.: +66/38 737 487
Fax: +66/38 737 171
trthailand@trelectronic.co.th
www.trelectronic.co.th

Netherlands

TR-Electronic Benelux BV
Dorpstraat 18F
NL-5386AM Geffen
Tel.: +31/4335 23 614
Mobil: +31/6383 28 303
rene.verbruggen@tr-electronic.nl
www.tr-electronic.nl

Russia

Sensotek LLC
Kievskoye highway 22 km
(Moskovskiy settlement)
housing estate 4, building 5,
office 505E
RU-108811 Moscow
Tel.: +7 495 181-56-67
Fax: +7 495 181-56-67
info@sensotek.ru
www.sensotek.ru

Spain, Portugal

Intertronic Internacional, SL
C/Johannes Gutenberg, 4 y 6
P.I. Parque Tecnológico
E-46980 Valencia
Tel.: +34/96-375 8050
Fax: +34/96-375 1022
info@intertronic.es
www.intertronic.es

Turkey

ÜNİVERSA İÇ VE DIŞ TİC.
MAK. SAN. LTD. ŞTİ.
Cemal Gürsel Caddesi
No: 11 D: 7
TR-35600 Karsiyaka-İZMİR
Tel.: +90/232 382 23 14
Fax: +90/232 382 23 24
info@universa.com.tr
www.universa.com.tr

Norway

TR Electronic Norway AS
Fusdal Terrasse 3
N-1387 Asker
Tel.: +46 708 696 533
Fax: +46 875 676 80
info@trelectronic.no
www.trelectronic.no

Saudi-Arabia

Business Tribune Company Ltd.
4237 Ad Danah,
King Abdulaziz Road
SAU-32437 – 6887 Ad Dammam
Tel.: +966/3-832 72-17, Fax.: -41
waleed@bustribune.com.sa
www.bustribune.com

Sweden

TR Electronic Sweden AB
Djupdalsvägen 10
S-192 51 Sollentuna
Tel.: +46/8-756 72 20, Fax.: -80
mailbox@trelectronic.se
www.trelectronic.se

USA (TR-Electronic)

TR Electronic
P.O. Box 4448
US-Troy, MI 48099
Tel.: +1/248-244-2280
Fax: +1/248-244-2283
customercare@trelectronic.com
www.trelectronic.com

Peru

Grupo C+ Tecnologia
Rua dos Caetés
601 - Perdizes
BR - São Paulo – SP
CEP-05016-081
Tel.: +55/11-2168 6554
Fax: +55/11-2168 6555
info@ctecnologia.com.br
www.ctecnologia.com.br

Singapore

Globaltec Electronics
(Far East) Pte. Ltd.
50 Bukit Batok Street 23
#06-27 Midview Building
SIN-659578 Singapore
Tel.: +65/6267 9188
Fax: +65/6267 8011
janice@globaltec.com.sg
www.globaltec.com.sg

Switzerland

TR-Electronic SA
14, Ch. Pré-Fleuri
CH-1228 Plan-les-Ouates/Genève
Tel.: +41/22-7 94 21 50
Fax: +41/22-7 94 21 71
info@tr-electronic.ch
www.tr-electronic.ch

USA (TRsystems)

TRS Fieldbus Systems, Inc.
666 Baldwin Court
US-Birmingham, MI 48009
Tel.: +1/586 826-9696
Fax: +1/586 826-9697
support@trs-fieldbus.com
www.tr-fieldbus.com
trthailand@trelectronic.co.th
www.trelectronic.co.th

TR-Electronic GmbH

Eglishalde 6

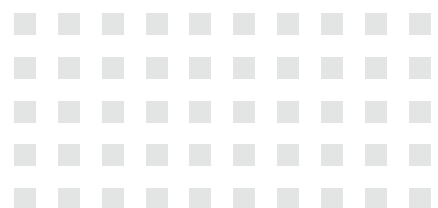
D - 78647 Trossingen

Tel. +49 7425 228-0

Fax +49 7425 228-33

info@tr-electronic.de

www.tr-electronic.de



Last update: 04/2018

68-105-114 · TR-V-PR-GB-0019-03

Subject to technology and design modifications.

Cover photo background: ©kras99-fotolia.com