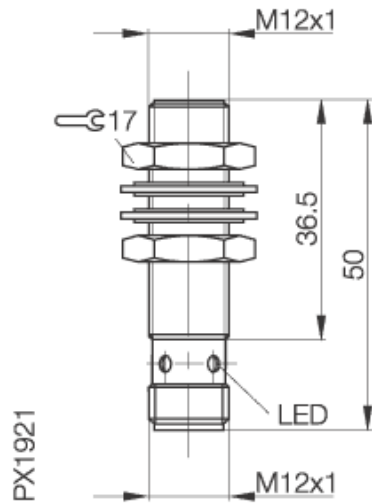


BES M12MF-GSC30B-S04G  
 BES003Z

polarized  
 NO  
 flush mountable

**BALLUFF**  
*sensors worldwide*



**Electrical data:**

Electrical type	DC
Utilization category	DC 13
Hysteresis max (H)	20 %
Minimum operating current (I <sub>m</sub> )	5 mA
Off-state current max (I <sub>r</sub> )	600 µA
Ripple of power supply	15 %
Switching output	polarized
Switching element function	NO
Operating frequency (f)	1300 Hz
Voltage drop static max	4 V
Supply voltage max DC (U <sub>B</sub> )	36 V
Supply voltage min DC (U <sub>B</sub> )	10 V
Rated operational current (I <sub>e</sub> )	100 mA
Time delay before availability	50 ms
Connection	Connector
Rated operational voltage DC	24 DC V

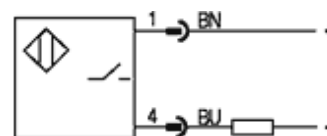
**General data:**

Power Indication	no
Output indication	yes
Short circuit protected	yes
Brand	GlobalProX
Degree of protection IP	IP67
Protected against polarity reversal	yes
Approval	CE

**Mechanical data:**

Number of Wires	2-wire
Tightening torque	15 Nm
Rated operating distance (sn)	3 mm
Diameter	M12x1 mm
Assured operating distance	0...2,4 mm
Mounting	flush mountable
Ambient temperature max	+70 °C
Ambient temperature min	-25 °C
Degree of pollution	3
Sensing face material	PA 12
Housing material	CuZn, Ni free coated
Repeat accuracy max. (R)	5 %

**Wiring:**



Pinout:  
 Pinout



[www.balluff.com](http://www.balluff.com)

Balluff Europe: +49 7158 173 -0  
 Balluff USA: 1-800-54 3-83 90  
 Balluff Asia: +86 21-50 64 41 31

Online Productinformation  
 2009-03-25