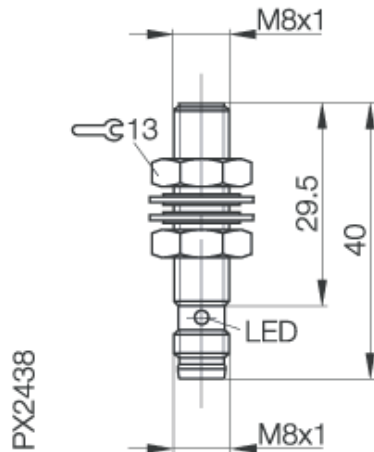


BES M08EE-POC20B-S49G  
BES0145

PNP  
NC  
flush mountable



**Electrical data:**

Load current capacity (Ie)	200 mA
Utilization category	DC 13
Ripple max. of Ue	15 %
Supply voltage min. (Ub)	10 V
Connection	Connector S49 (M8)
Electrical type	DC
No-load supply current undamped	9 mA
Off-state current max (Ir)	20 µA
Voltage drop max. static	2,5 V
Supply voltage max. (Ub)	30 V
Time delay before availability	20 ms
Hysteresis max (H)	15 %
Switching output	PNP
Switching element function	NC
Rated operational voltage (Ue)	24 DC V
No-load supply current damped	3 mA
Operating frequency (f)	1500 Hz

**General data:**

Insulation class	2
Degree of protection IP	IP68 per BWN Pr 20
Short circuit protected	yes
Approval	CE,c_ul_us
Output indication	yes
Protected against polarity reversal	yes

**Mechanical data:**

Mounting	flush mountable
Ambient temperature min	-25 °C
Rated operating distance (sn)	2 mm
Assured operating distance	0...1,6 mm
Ambient temperature max	+70 °C
Diameter	M 8 mm
Housing material	corrosion resistance Steel
Repeat accuracy max. (R)	5 %
Number of Wires	3-wire
Degree of pollution	3
Sensing face material	PBT

**Wiring:**



**Pinout:**

