

1

2

3

4

REV.
V1.0

ECN NO.

A

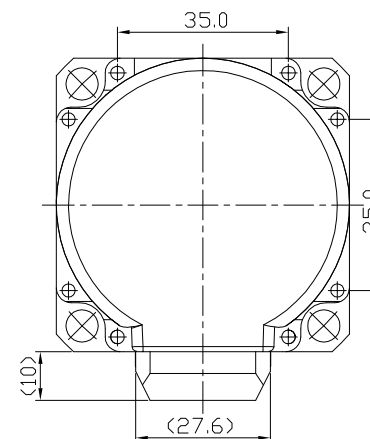
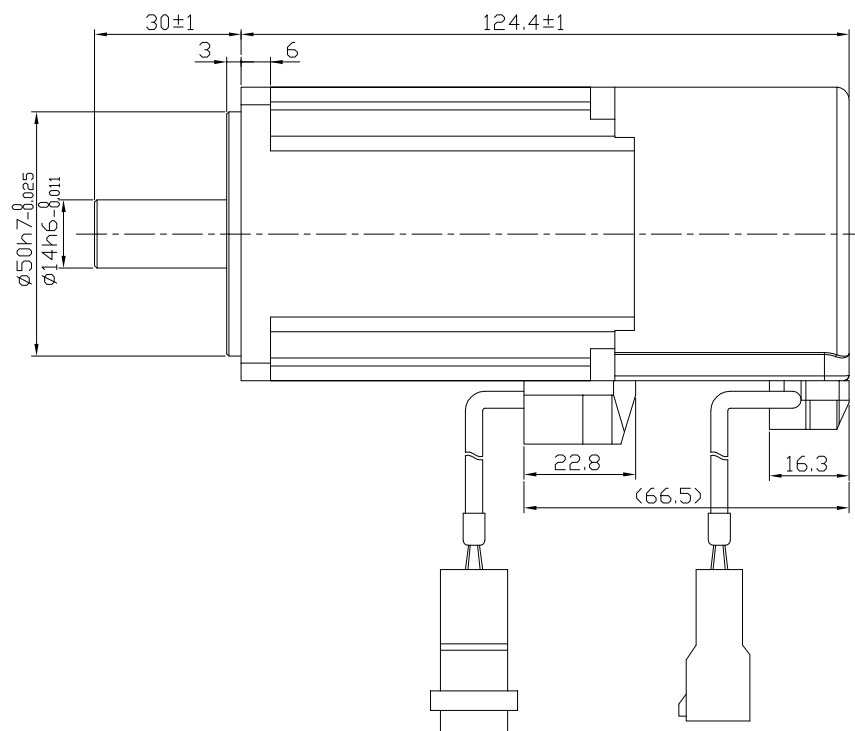
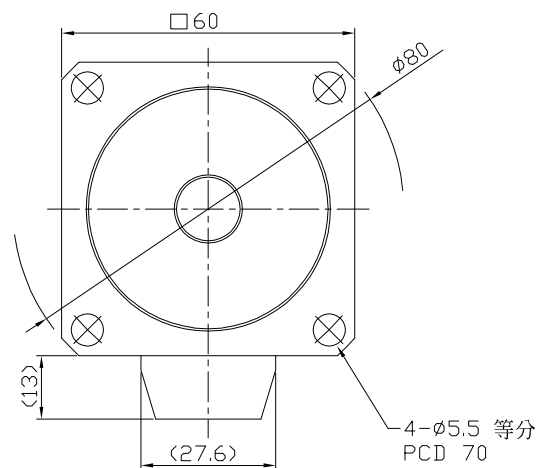
A

B

B

C

C

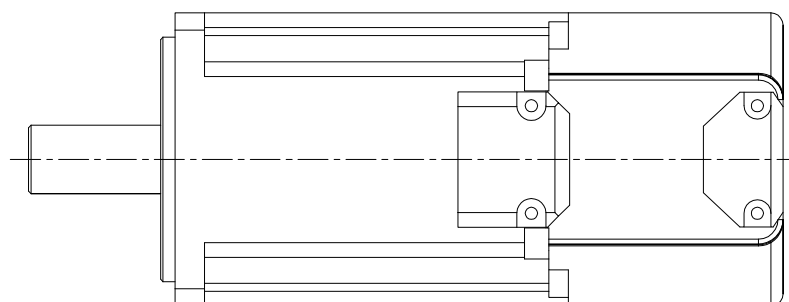


MOTOR CONNECTION

| PIN NO. | FUNCTION | COLOR |
|---------|----------|---------|
| A1 | U | RED |
| A2 | V | WHT |
| A3 | W | BLK |
| B1 | C.G | GRN/YEL |
| B2 | --- | --- |
| B3 | --- | --- |

ENCODER CONNECTION

| PIN NO. | FUNCTION | COLOR |
|---------|----------|---------|
| A1 | UE.A | BLU |
| A2 | VE.B | GRN |
| A3 | WE.Z | YEL |
| A4 | --- | --- |
| A5 | VCC | RED |
| A6 | --- | --- |
| B1 | UE.A | BLU/BLK |
| B2 | VE.B | GRN/BLK |
| B3 | WE.Z | YEL/BLK |
| B4 | --- | --- |
| B5 | GND | BLK |
| B6 | SHLID | SHILD |



WITHOUT BRAKE

| | | |
|---|--|--------------------------|
| 台達電子工業股份有限公司 DELTA ELECTRONICS, INC. | Drawn: | Design: |
| | Date: | ECN No.: |
| THESE DRAWINGS AND SPECIFICATIONS ARE THE PROPERTY OF DELTA ELECTRONICS, INC. AND SHALL NOT BE REPRODUCED OR USED AS THE BASIS FOR THE MANUFACTURE OR SELL OF APPARATUSSES OR DEVICES WITHOUT PERMISSION. | DIMENSIONAL TOLERANCES () () () () ANGLES DECIMALS <50 :±0.1 <50 :±0.15 <50 :±0.2 <30° :±0.1° X :±0.3 >50-100 :±0.15 >50-100 :±0.2 >50-100 :±0.25 30°-60° :±0.3° X.X :±0.2 >100-200 :±0.2 >100-200 :±0.25 >100-200 :±0.3 60°-90° :±0.5° X.XX :±0.1 200~ :±0.2% 200~ :±0.25% 200~ :±0.3% | |
| | Drawing Name: ASMT04L250AK | Part No.: |
| USED ON XXXXXX | UNIT mm | SCALE ----- SHEET 1 OF 1 |

1

2

3

4